

SPECIFICATIONS

AMALFI™ TWO HANDLE MINI-WIDESPREAD LAVATORY FAUCET

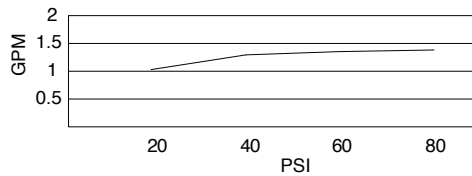
Model

D304030

Description

- Ceramic disc valves
- 7 ¾" high spout, laminar flow
- Touch down drain assembly
- 3 hole mount, 4" - 8" installation
- Flow rate: 1.5 gpm @ 60 psi

Flow Rate



Standards



- UPC/cUPC
- NSF 61-9
- Energy Policy Act of 1992

MEETS ASME A112.18.1

- ASME A112.18.1

MEETS CA AB-1953

Less than 0.25% lead content

- Meets CA AB-1953



- ADA Accessibility Guidelines for Buildings and Facilities - 4.27.4 Controls and Mechanisms

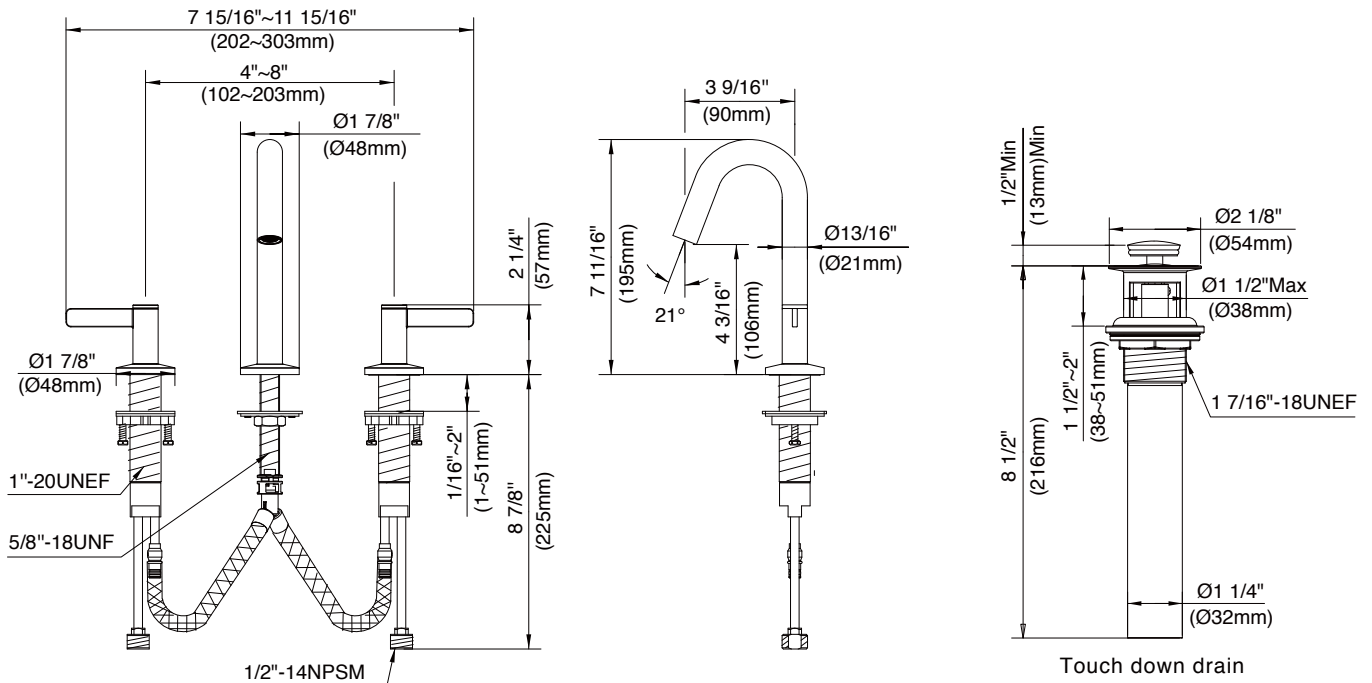


Finishes Available

- Chrome
- Other: Refer to Price List for additional finish

Warranty

Danze products are covered by a manufacturer's limited "lifetime" warranty for manufacturing defects.



Submittal Information:

Job Name: _____

Location: _____

Contractor: _____

Contact #: _____