

SPECIFICATIONS

ANTIOCH™ TWO HANDLE WIDESPREAD LAVATORY FAUCET

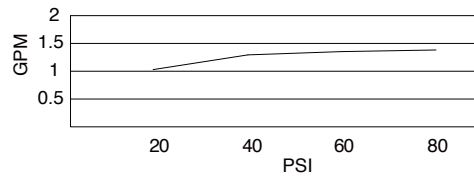
Model

D304022

Description

- Ceramic disc valve
- 5" high spout, 4 1/2" spout length, laminar flow
- Touch down drain assembly
- 3 hole mount
- Flow rate: 1.5 gpm @ 60 psi

Flow Rate



Standards



- UPC/cUPC
- NSF 61-9
- Energy Policy Act of 1992



- ASME A112.18.1



- Meets CA AB-1953

Less than 0.25% lead content



- ADA Accessibility Guidelines for Buildings and Facilities - 4.27.4 Controls and Mechanisms

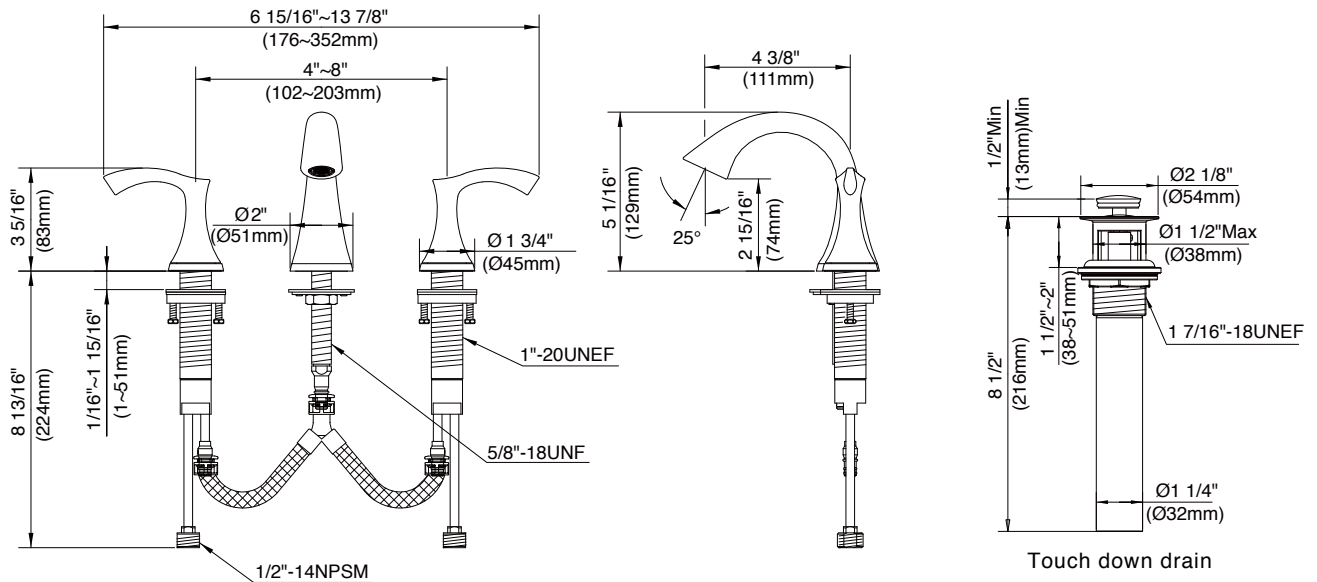


Finishes Available

- Chrome
- Other: Refer to Price List for additional finish

Warranty

Danze products are covered by a manufacturer's limited "lifetime" warranty for manufacturing defects.



Submittal Information:

Job Name: _____
 Contractor: _____

Location: _____
 Contact #: _____