

SPECIFICATIONS

EASTHAM™ TWO HANDLE CENTERSET LAVATORY FAUCET

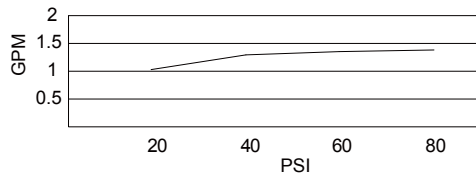
Model

D301015

Description

- Ceramic disc valves
- 6 3/4" high spout , 4 1/2" spout length, laminar flow
- 50/50 pop-up drain assembly
- 3 hole mount
- Flow rate: 1.5 gpm @ 60 psi

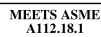
Flow Rate



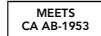
Standards



- UPC/cUPC
- NSF 61-9
- Energy Policy Act of 1992



- ASME A112.18.1



Less than 0.25% lead content

- Meets CA AB-1953



- ADA Accessibility Guidelines for Buildings and Facilities - 4.27.4 Controls and Mechanisms

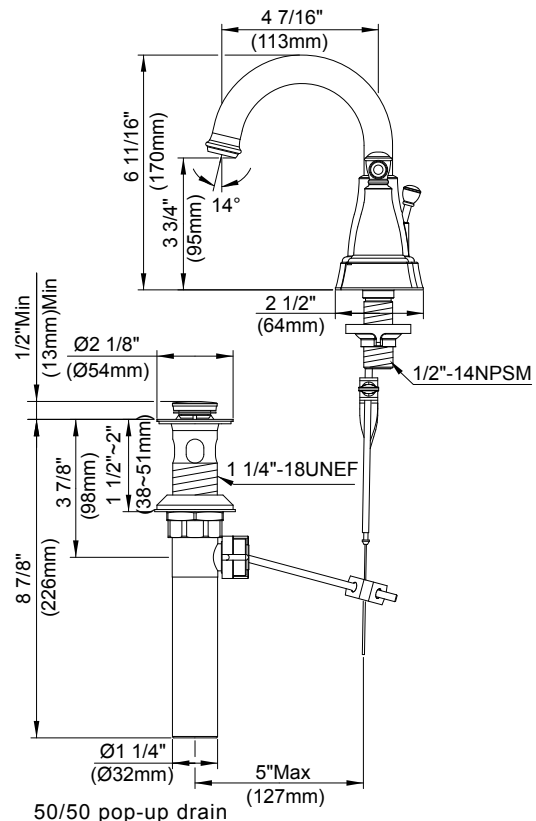
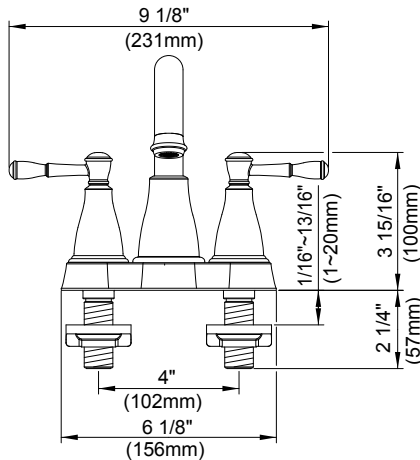


Finishes Available

- Chrome
- Other: Refer to Price List for additional finish

Warranty

Danze products are covered by a manufacturer's limited "lifetime" warranty for manufacturing defects.



Submittal Information:

Job Name: _____

Location: _____

Contractor: _____

Contact #: _____