

**SPECIFICATIONS**

**COMO™ SINGLE HANDLE LAVATORY FAUCET**

**Model**

D221542 (Replaces D223544 series)

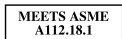
**Description**

- Ceramic disc valve
- 8 1/2" high swivel spout, 5 1/2" spout length
- Metal touch down drain assembly
- Single hole mount

**Standards**



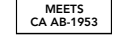
- UPC/cUPC
- NSF 61-9
- Energy policy act of 1992



- ASME A112.18.1



- CSA B125



- Meets CA AB-1953

Less than 0.25% lead content

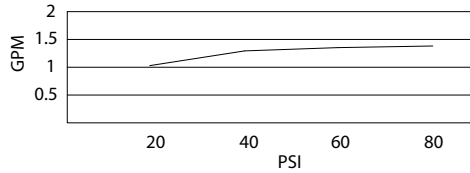


- ADA Accessibility Guidelines for Buildings and Facilities - 4.27.4 Controls and Mechanisms

**Warranty**

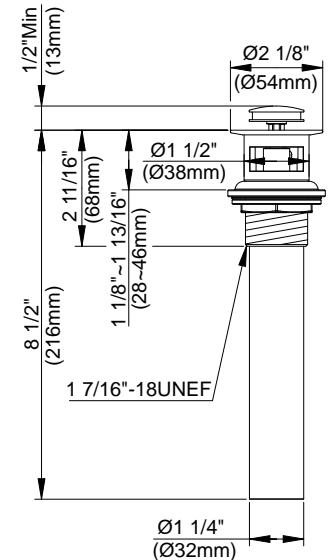
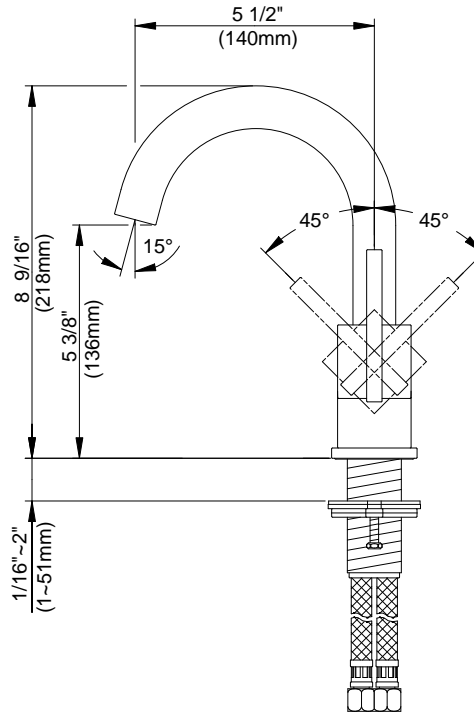
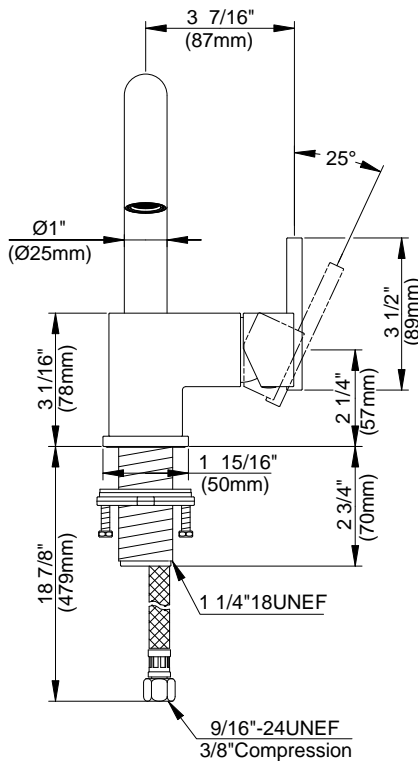
Danze products are covered by a manufacturer's limited "lifetime" warranty for manufacturing defects.

**Flow Rate**



**Finishes Available**

- Chrome
- Other: Refer to Price List for additional finish



**Submittal Information:**

Job Name: \_\_\_\_\_  
 Contractor: \_\_\_\_\_

Location: \_\_\_\_\_  
 Contact #: \_\_\_\_\_