

SPECIFICATIONS

4" 513E THREE-FUNCTION SHOWERHEAD

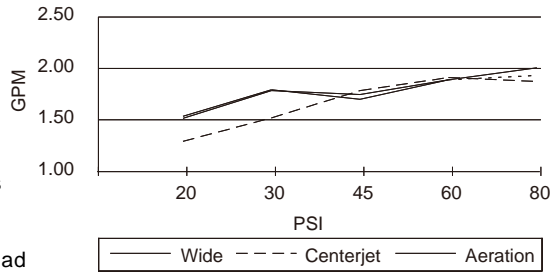
Model

D460047

Description

- 3 functions: wide, centerjet and aeration
- D-Force™ and Air Injection Technology
- Brass ball joint with polymer shell
- Easy-Glide™ selector ring
- Optimizes water intensity even at low pressures
- With 56 jets
- Maximum flow rate 2.0 gpm @ 20 - 80 psi
- Uses 20% less water than a standard showerhead flowing at 2.5 GPM

Flow Rate



Standards



- UPC/cUPC
- Energy policy act of 1992



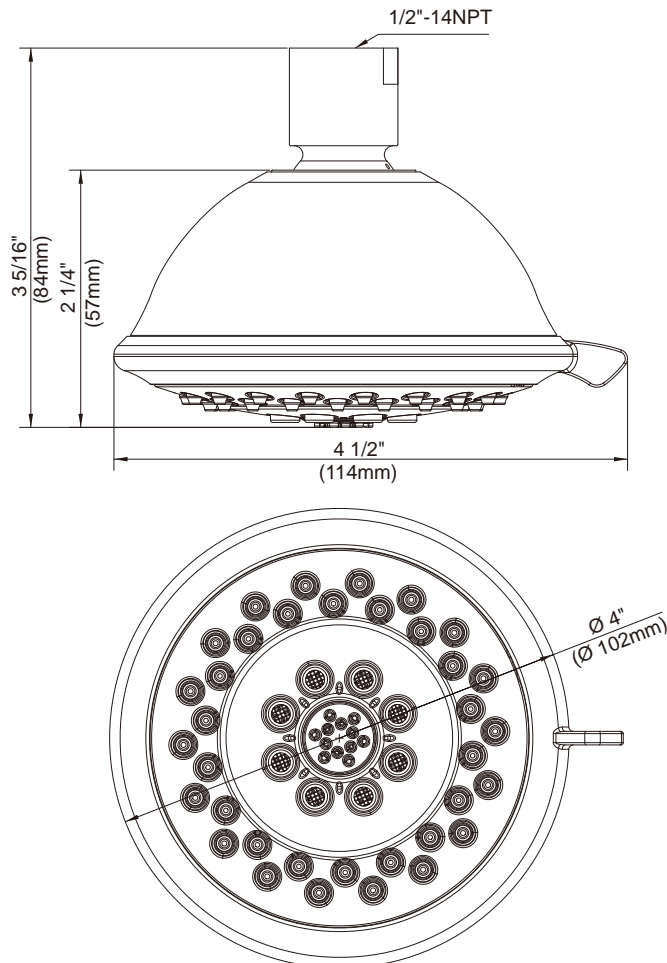
Certified by IAPMO R&T

Finishes Available

- Chrome
- Other: Refer to Price List for additional finish

Warranty

Danze products are covered by a manufacturer's limited "lifetime" warranty for manufacturing defects.



Submittal Information:

Job Name: _____
 Contractor: _____

Location: _____
 Contact #: _____