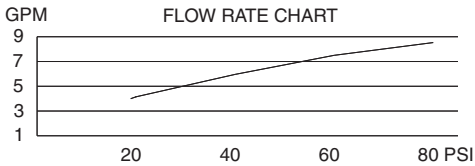


### SINGLE HANDLE PRESSURE BALANCE TUB & SHOWER FAUCET

#### Description

- Single handle with self-cleaning two-function showerhead
- 1/2" slip spout fits 1/2" copper or 1/2" IPS stub-out
- Diverter on spout
- Back to back installation capabilities

#### Flow & Valving



#### Standards

- ASME A112.18.1
- CSA B125
- ASSE 1016
- Listed IAPMO/UPC
- Energy policy act of 1992
- ADA Accessibility Guidelines for Buildings and Facilities - 4.27.4 Controls and Mechanisms

#### Warranty

Danze products are covered by a manufacturer's limited "lifetime" warranty for manufacturing defects.



D510011 (shown)  
MELROSE™



#### With Stops:

- D510011 (Tub/Shower)
- D500511 (Shower only)

#### Less Stops:

- D520011 (Tub/Shower)
- D520511 (Shower only)

#### Available Colors & Finish

- Chrome
- Brushed Nickel (BN)
- Chrome with Polished Brass Accents (CPBV)

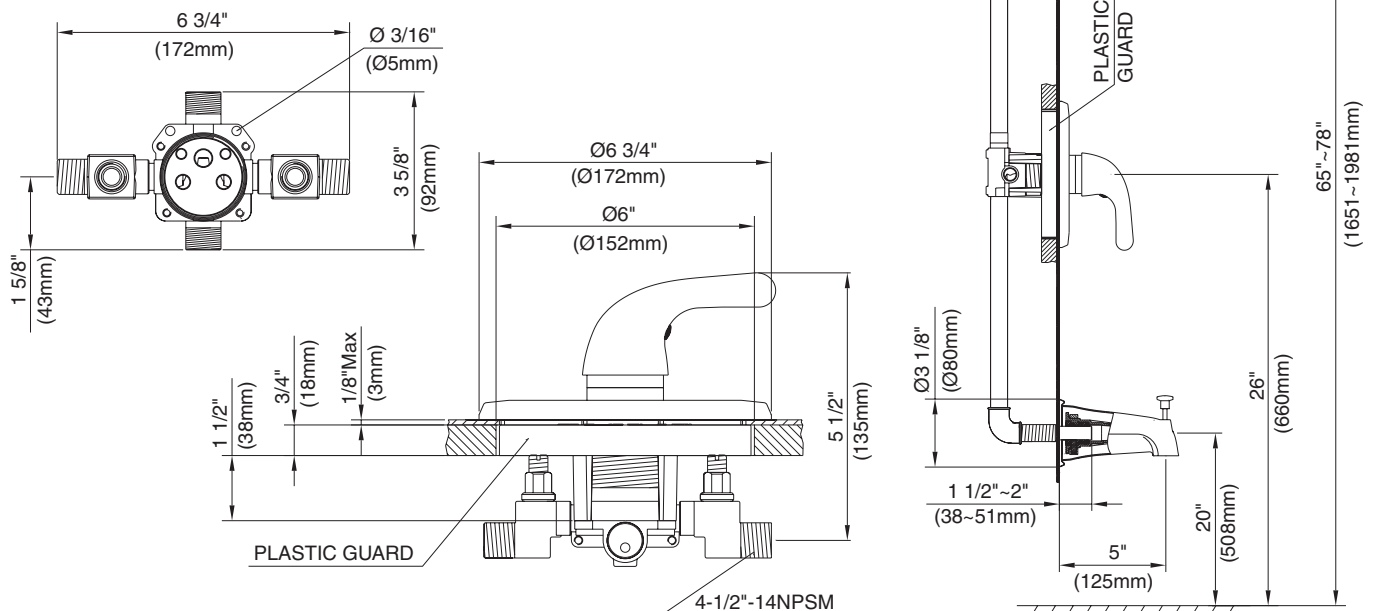
#### Trim Kits: (for use w/pressure balance valves)

- D510011T (Tub/Shower trim)
- D500511T (Shower only trim)
- D500611T (Tub trim w/valve escutcheon)

#### Special Packaging

- This product also available with valve packaged separate from trim.
- Use with single handle pressure balance valves:
  - D112000BT (w/stops)
  - D115000BT (w/o stops)
- Valves are combination 1/2" copper sweat, 1/2" NPT threaded connectors for all ports.

#### W/DIVERTER & STOPS



Specific Features: \_\_\_\_\_ Submitted Model No.: \_\_\_\_\_

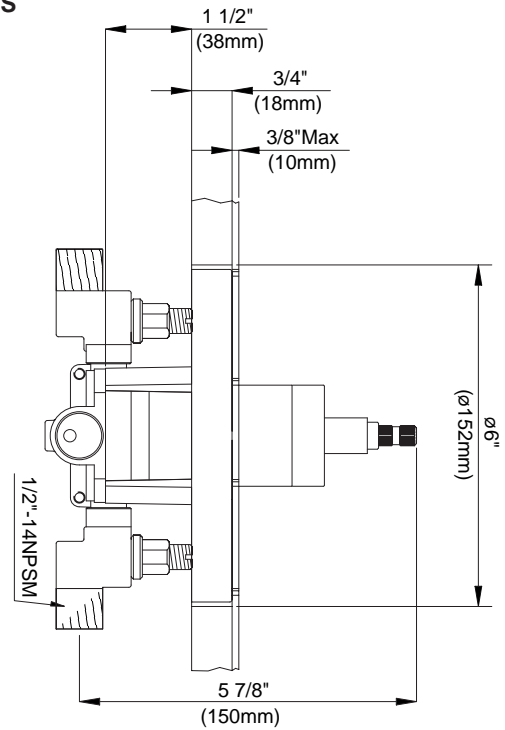
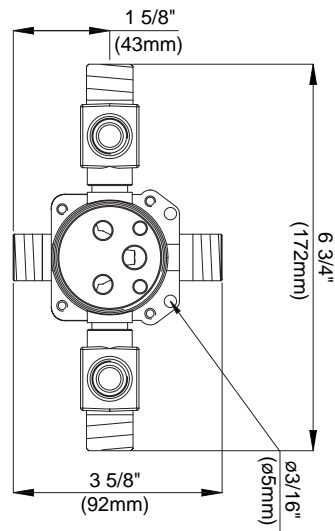
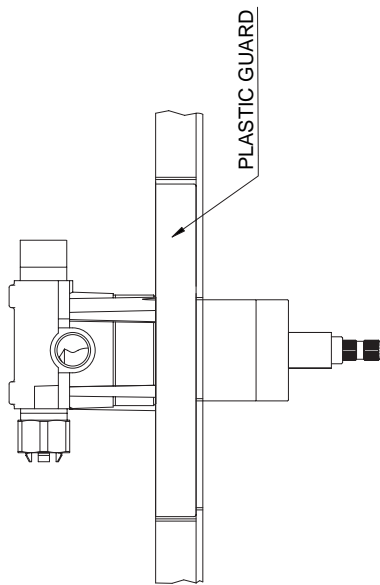
SD510011/03-06.01

**SPECIFICATIONS**

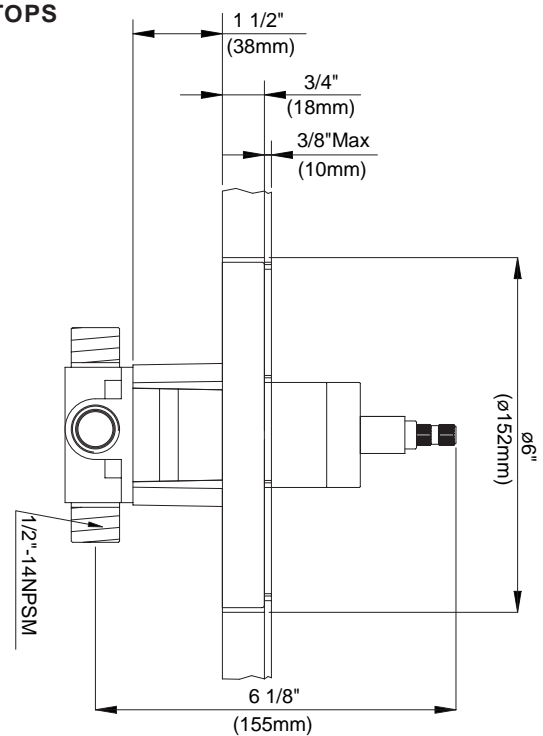
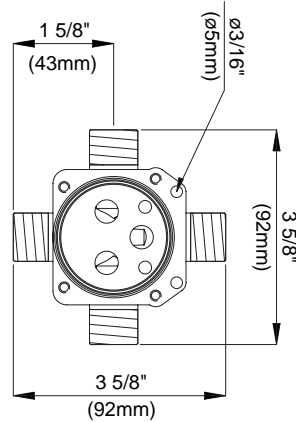
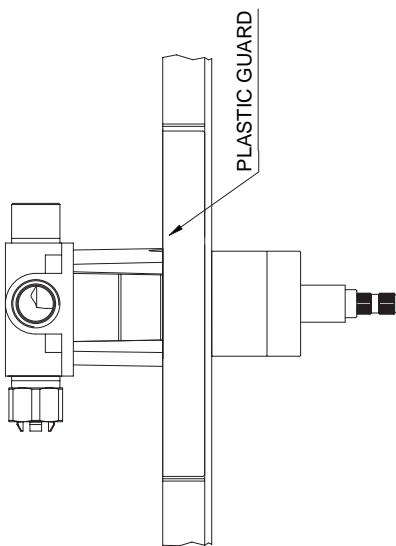
**SINGLE HANDLE PRESSURE BALANCE TUB & SHOWER VALVES**

Critical Dimensions : Rough-in valve D112000BT (w/stops) & D115000BT (w/o stops)

**W/SCREWDRIVER STOPS**



**LESS/SCREWDRIVER STOPS**



Specific Features: \_\_\_\_\_ Submitted Model No.: \_\_\_\_\_