

SPECIFICATIONS

PARMA™ SINGLE HANDLE WALL MOUNT LAVATORY FAUCET

Model

D216058 (Replaces D216558 series)

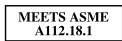
Description

- Ceramic disc valve
- 10" spout length
- Metal touch down drain assembly
- 2 hole wall mount

Standards



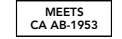
- UPC/cUPC
- NSF 61-9
- Energy policy act of 1992



- ASME A112.18.1



- CSA B125



- Meets CA AB-1953

Less than 0.25% Lead content

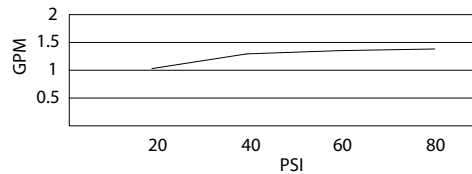


- ADA Accessibility Guidelines for Buildings and Facilities - 4.27.4 Controls and Mechanisms

Warranty

Danze products are covered by a manufacturer's limited "lifetime" warranty for manufacturing defects.

Flow Rate



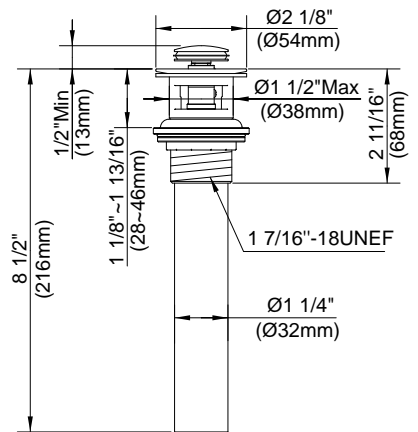
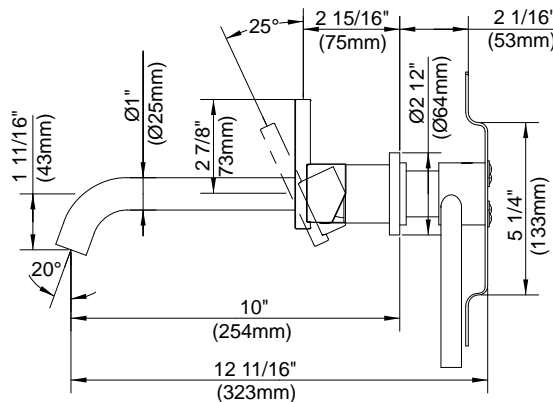
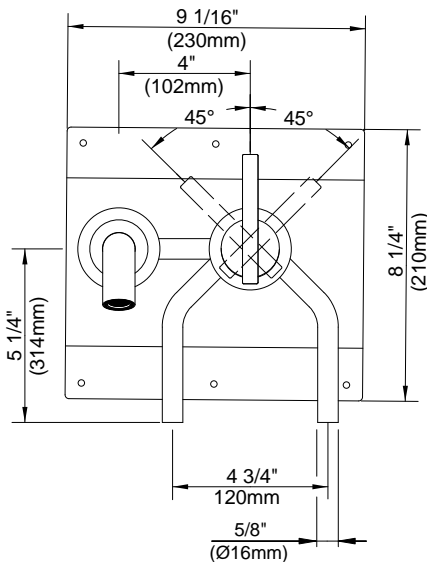
Trim Kits : (for use w/ rough-in valves)
D216058T

Special Packaging

- This product also available with trim and valve packaged separately.
- Use with rough-in valve D106900BT: 1/2" copper sweat connection
- Model numbers for trim kit items include the suffix "T"

Finishes Available

- Chrome
- Other: Refer to Price List for additional finish



Submittal Information:

Job Name: _____
Contractor: _____

Location: _____
Contact #: _____