

### SHOWERHEAD ACCESSORIES

#### Description

- All extension shower arms increase the range of the showerhead
- All brass construction

#### Standards

- Listed IAPMO/UPC
- CSA B125
- Energy policy act of 1992

#### Warranty

Danze products are covered by a manufacturer's limited "lifetime" warranty for manufacturing defects.



D481136 - 6" standard shower arm

#### Available Colors & Finish

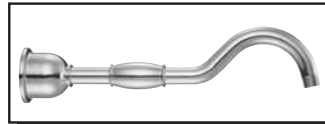
- Chrome
- Antique Copper (AC)
- Brushed Nickel (BN)
- Distressed Nickel (DN)
- Chrome with Polished Brass Accents (CPBV)
- Polished Brass (PBV)
- Oil Rub Bronze (RB)



D481316 - 6" ceiling mount shower arm with flange  
D481306 - 10" ceiling mount shower arm with flange

#### Available Colors & Finish

- Chrome
- Brushed Nickel (BN)
- Polished Brass (PBV)
- Chrome with Polished Brass Accents (CPBV)
- Antique Copper (AC)
- Oil Rub Bronze (RB)



D481376 - 12" Victorian style shower arm with flange

#### Available Colors & Finish

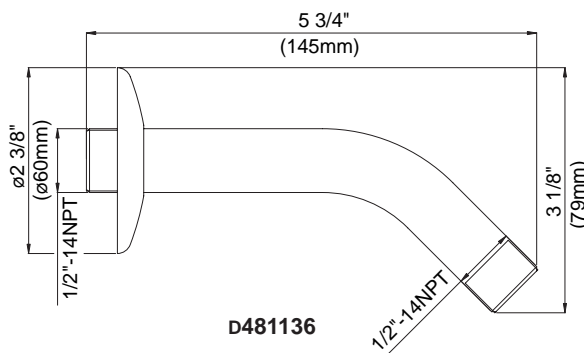
- Chrome
- Brushed Nickel (BN)
- Polished Nickel (PN)
- Polished Brass (PBV)
- Antique Copper (AC)
- Oil Rub Bronze (RB)



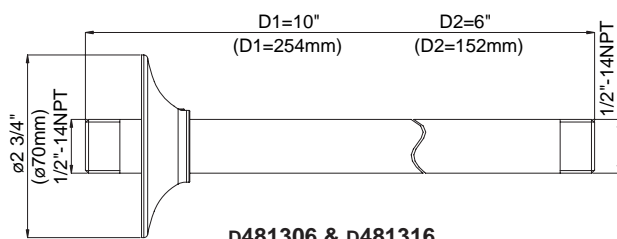
D481146 - 9" extension arm

#### Available Colors & Finish

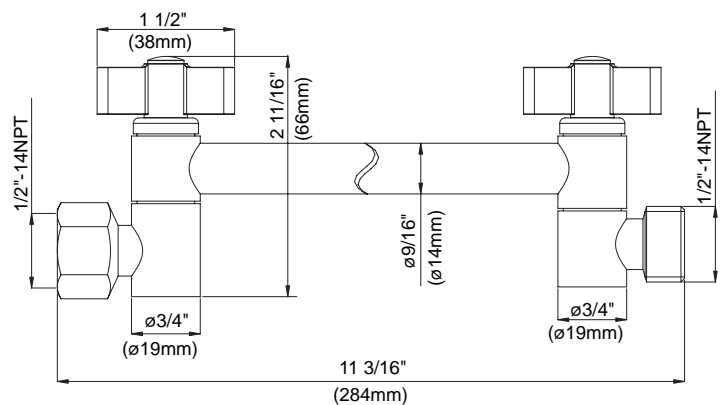
- Chrome
- Brushed Nickel (BN)
- Polished Brass (PBV)
- Chrome with Polished Brass Accents (CPBV)
- Antique Copper (AC)
- Oil Rub Bronze (RB)



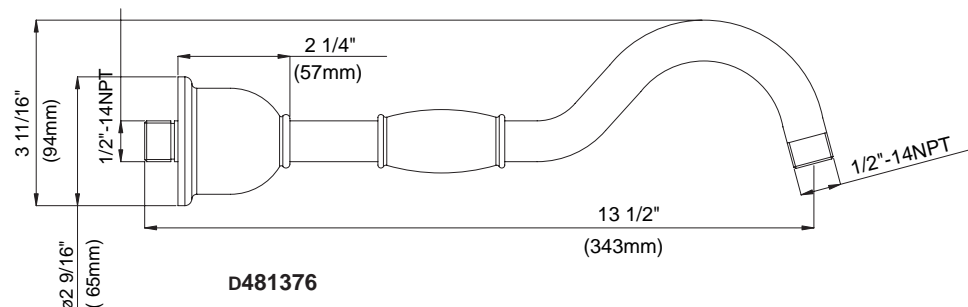
D481136



D481306 & D481316



D481146



D481376

Specific Features: \_\_\_\_\_ Submitted Model No.: \_\_\_\_\_