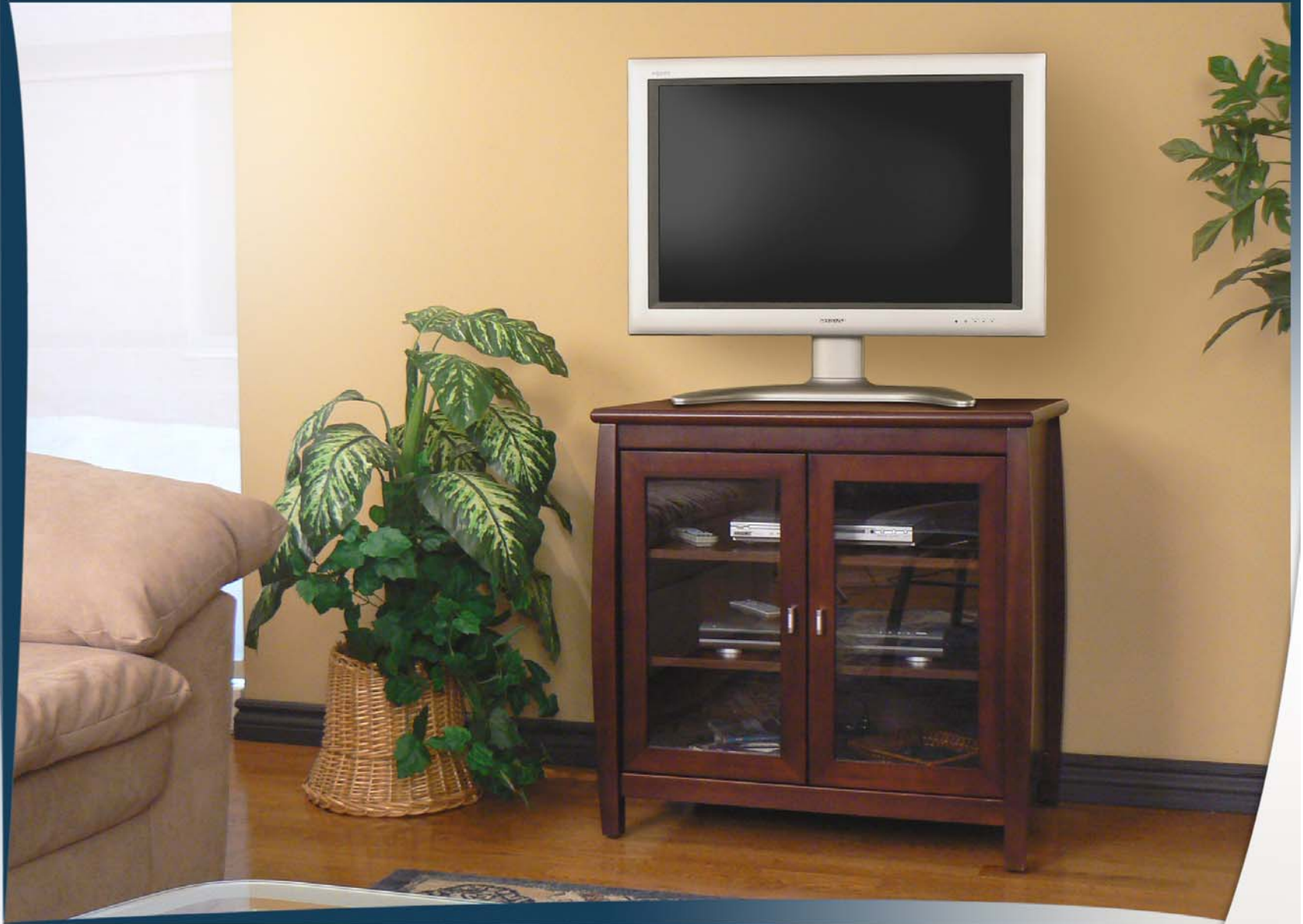


VENETO
SERIES

SWD30



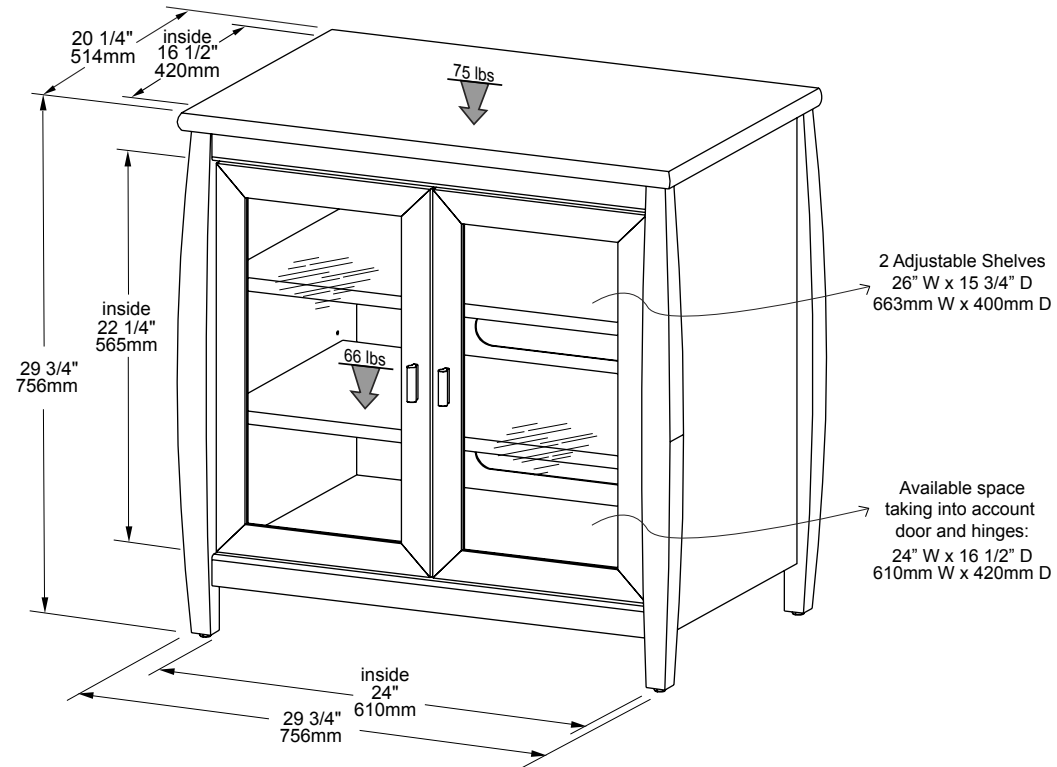
**TECH
CRAFT**

GENERAL FEATURES

- 30" Wide Walnut "Tall-Boy" fits most 32" and smaller Flat Panels.
- Beautiful curved front legs (moldings) for a great look.
- Adjustable shelves and ample component storage.
- Conceals your components behind glass doors
- Designed to complement the models SWP48 and SWP60.

SWD30

	Carton dimensions	Gross Weight	Volume	UPC code
	(h) 10" / 254mm	71.5 lbs / 32.5 kg	4.39 cu ft / 0.12 cu m	6-23788-00540-3
	(w) 33 3/4" / 857mm	<i>Dimension and weight / volume information on this sheet is rounded. Specifications subject to change without notice.</i>		
	(d) 22 1/2" / 572mm			



Techcraft Manufacturing Inc.

Copyright © Techcraft 2008. All rights reserved. No part of this drawing may be reproduced in any form by any photographic, electronic, mechanical or other means, or used in any information storage and retrieval system, without the written permission of Techcraft.

Hot Line : **1-888-476-8896**

Fax: (450) 622-3452

Email: sales@techcraft.net

Email: services@techcraft.net