

SORRENTO
SERIES

BEL501B



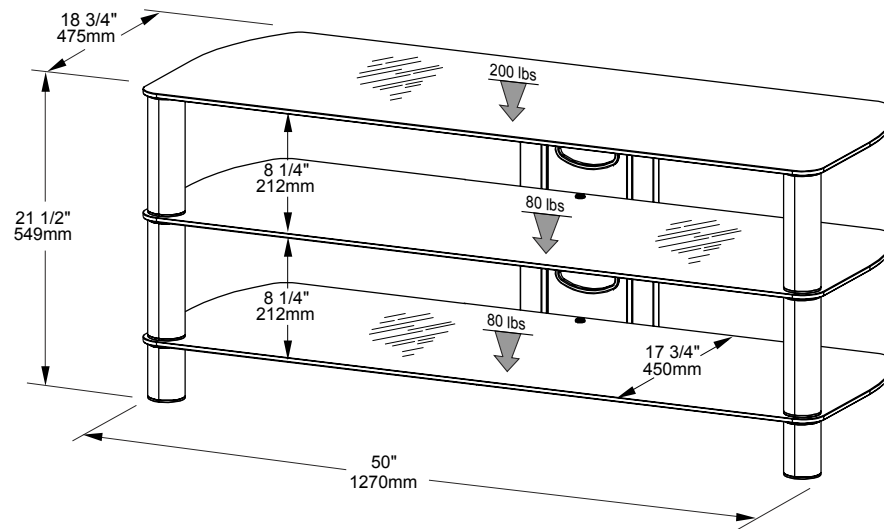
GENERAL FEATURES

- Tempered black glass shelves.
- Easy access to wire management.
- Easy assembly.

**TECH
CRAFT**

BEL501B

	Carton dimensions	Gross Weight	Volume	Nu. of units per pallet	UPC code
	(h) 5 5/8" / 142mm	97 lbs / 44 kg	3.8 cu ft / 0.11 cu m	22 units	6-23788-00337-9
	(w) 22 1/4" / 565mm	<i>Dimension and weight / volume information on this sheet is rounded. Specifications subject to change without notice.</i>			
	(d) 52 1/2" / 1333mm				



Techcraft Manufacturing Inc.

Copyright © Techcraft 2005. All rights reserved. No part of this drawing may be reproduced in any form by any photographic, electronic, mechanical or other means, or used in any information storage and retrieval system, without the written permission of Techcraft.

Hot Line : 1-888-476-8896

Fax: (450) 622-3452

Email: sales@techcraft.net

Email: services@techcraft.net