

**BERNINI**  
SERIES

**NTR48**  
**NTR60**



**TECH  
CRAFT**

**GENERAL FEATURES**

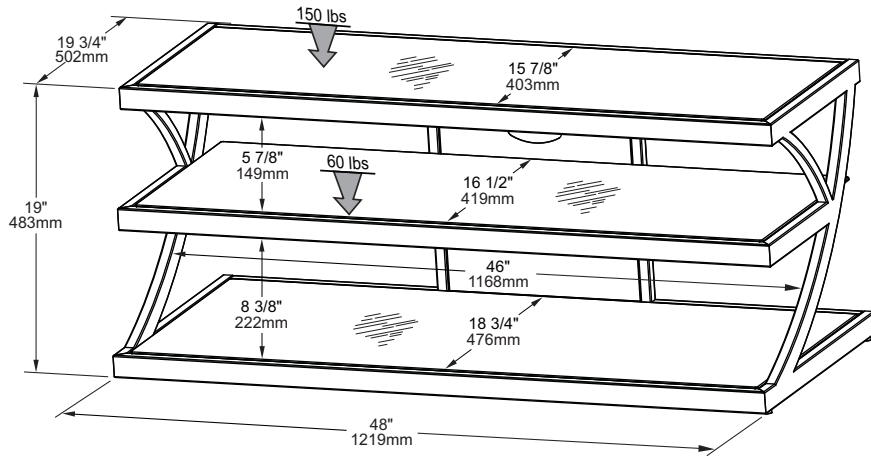
- AMAZINGLY EASY TO ASSEMBLE 48" AND 60" STAND FOR FLAT PANEL TELEVISIONS
- 4 EASY STEPS - OUT OF BOX TO COMPLETELY SET UP - IN ABOUT A MINUTE!
- NO TOOLS REQUIRED
- CONVENIENT WIRE MANAGEMENT PANEL
- AMPLE COMPONENT STORAGE SPACE

# NTR48

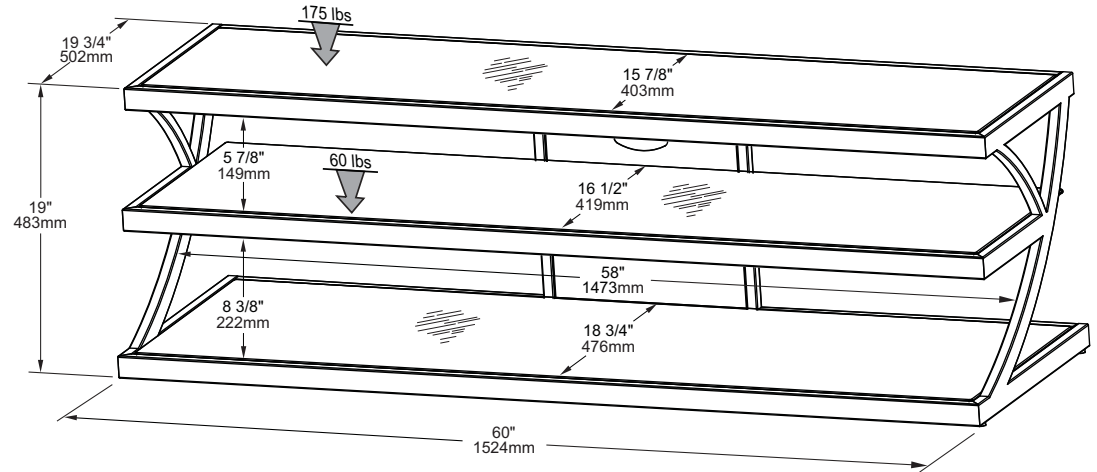
	Carton dimensions	Gross Weight	Volume	UPC code
	(h) 5 3/4" / 148mm	89 lbs / 41 kg	3.814 cu ft / 0.108 cu m	6-23788-00595-3
	(w) 22 3/8" / 570mm	<i>Dimension and weight / volume information on this sheet is rounded. Specifications subject to change without notice.</i>		
	(d) 52 3/4" / 1340mm			

# NTR60

	Carton dimensions	Gross Weight	Volume	UPC code
	(h) 5 1/2" / 142mm	107 lbs / 49 kg	4.697 cu ft / 0.133 cu m	6-23788-00596-0
	(w) 22 3/8" / 570mm	<i>Dimension and weight / volume information on this sheet is rounded. Specifications subject to change without notice.</i>		
	(d) 64 1/2" / 1640mm			



**NTR48**



**NTR60**

**Techcraft Manufacturing Inc.**

Copyright © Techcraft 2006. All rights reserved. No part of this drawing may be reproduced in any form by any photographic, electronic, mechanical or other means, or used in any information storage and retrieval system, without the written permission of Techcraft.

Hot Line : **1-888-476-8896**

Fax: (450) 622-3452

Email: [sales@techcraft.net](mailto:sales@techcraft.net)

Email: [services@techcraft.net](mailto:services@techcraft.net)