

Top Wall II

HW240_IB35

1.2



Wall Sconces

GENERAL PRODUCT INFORMATION:



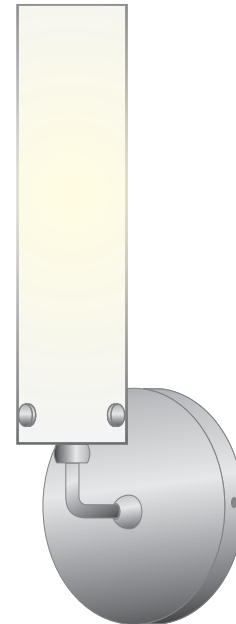
This product can mount to either a 4" square electrical box with round plaster ring or an octagon electrical box.

This product is suitable for indoor dry locations only.

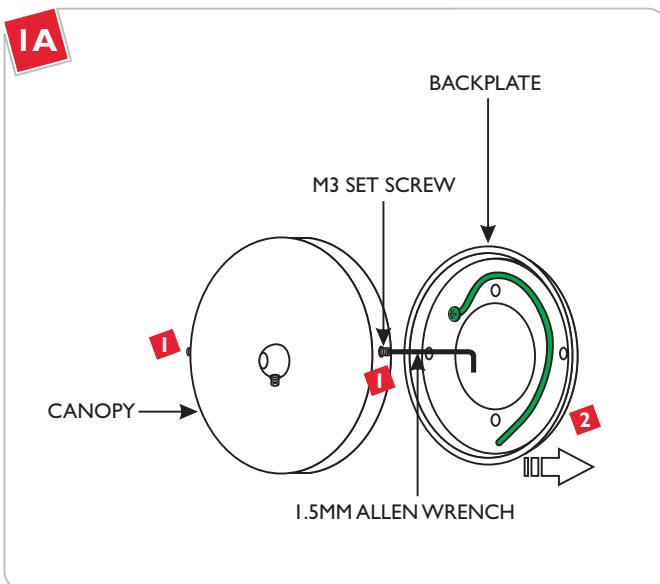
This product can be dimmed with a standard incandescent dimmer.

CAUTION - RISK OF FIRE

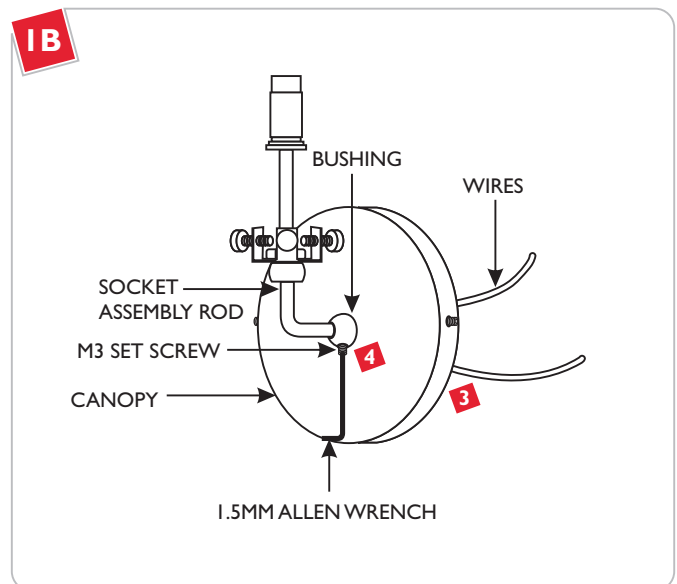
This product requires installation by a qualified electrician. Before installing be sure to read all instructions and **TURN THE POWER TO THE ELECTRICAL BOX OFF.**



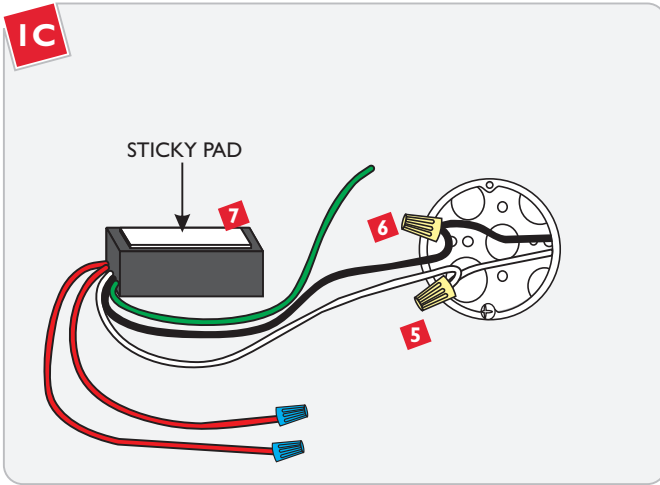
Install the Fixture



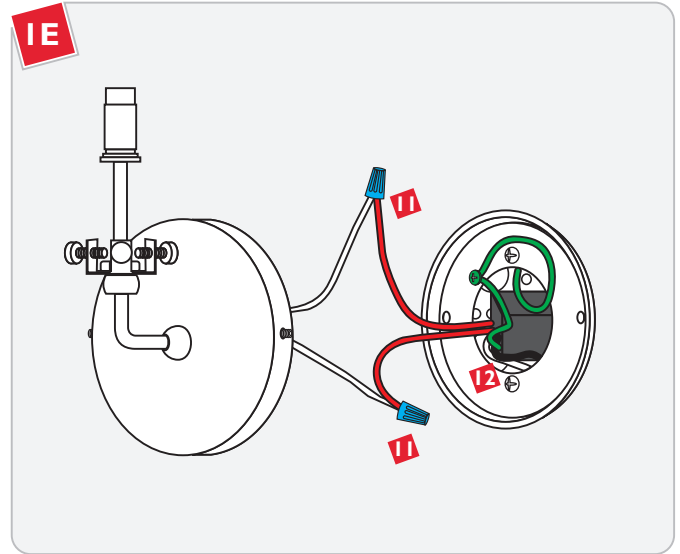
- 1** Loosen (**Do Not Remove**) the two M3 set screws on side of the canopy with the 1.5MM Allen wrench provided.
- 2** Remove the backplate.



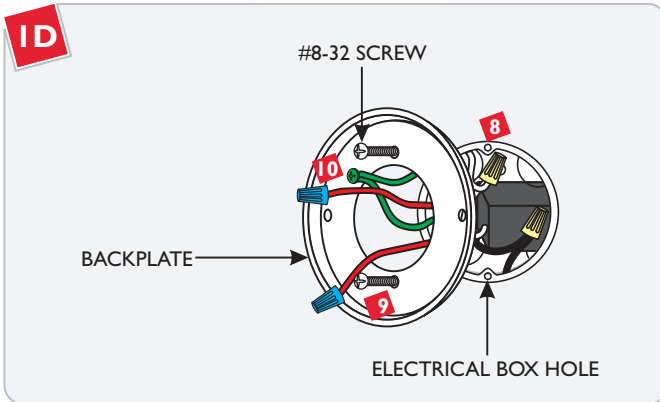
- 3** Feed the socket assembly wires through the bushing.
- 4** Push the socket assembly rod completely into the bushing. Level the socket assembly vertically and tighten the M3 set screw with the 1.5 MM Allen wrench to hold the socket assembly in place.



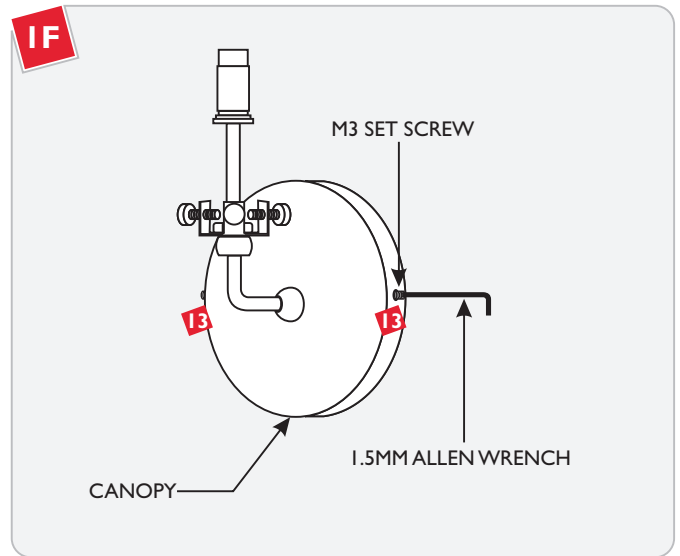
- 5** Connect the transformer white wire to the neutral power line wire with a wire nut.
- 6** Connect the transformer black wire to the hot power line wire with a wire nut.
- 7** Place the transformer inside the electrical box. Use the attached sticky pad to secure it against the electrical box.



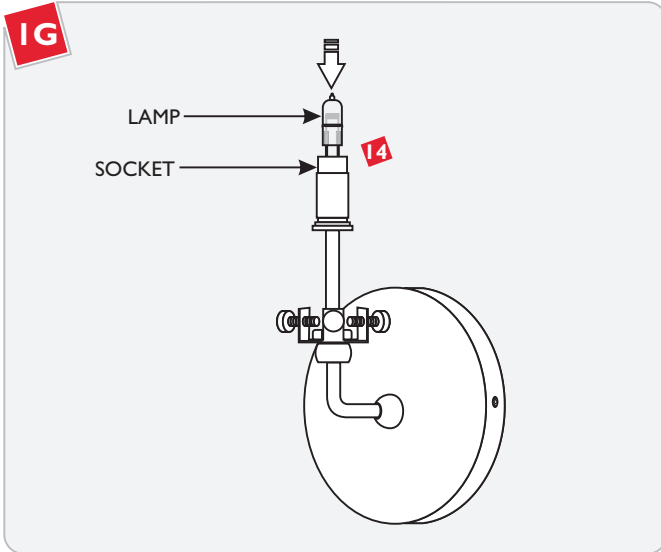
- 11** Connect each transformer low voltage wire (red wire) to one fixture wire with a wire nut.
- 12** Place all wires and wire nut connections inside the electrical box.




- 8** Line up two backplate holes with the electrical box holes.
- 9** Mount the backplate to the electrical box with the two #8-32 screws provided.
- 10** In accordance with local electrical codes, make sure that the backplate and the transformer green wire are grounded.



- 13** Place the fixture canopy onto the backplate. Level the fixture vertically and tighten the two M3 set screws with the 1.5MM Allen wrench to secure the fixture in place.



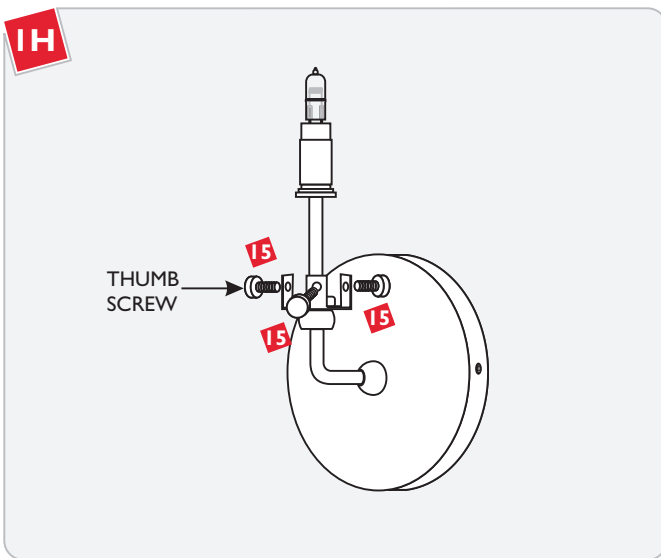
NOTE: Use only your fingers and a soft cloth to install the lamp.

Use **MAX 35** Watt Bi-Pin Xenon (Xelogen) Lamp. 

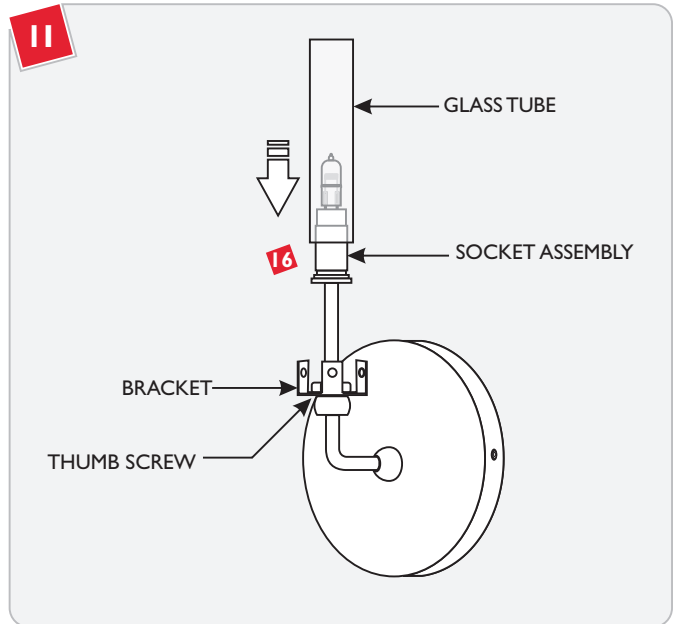
14 Push the lamp pins completely into the socket holes.

WARNING: RISK OF FIRE

Never replace a Xenon (Xelogen) lamp with a regular Halogen lamp. A regular Halogen lamp requires a protective glass shield.

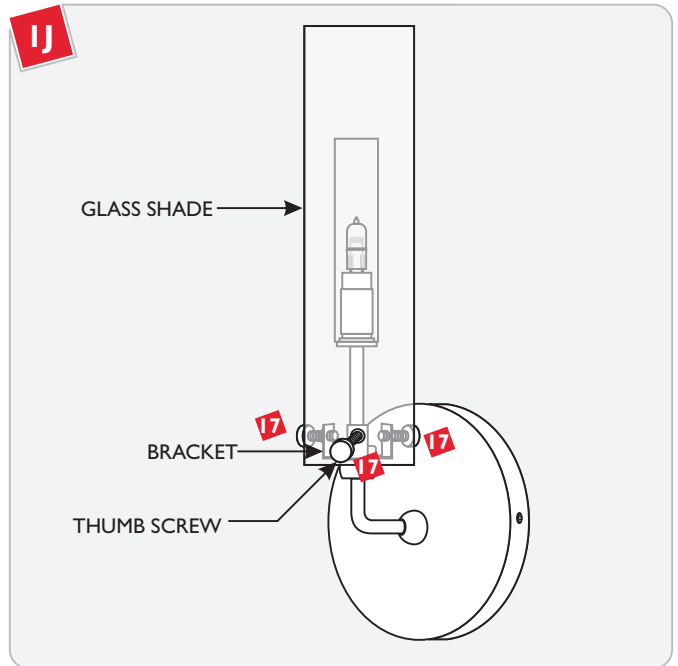


15 Remove the three thumb screw.



16 Carefully slide the glass tube onto the socket assembly.

NOTE: Omit the step 16 for Top Wall II with opal glass.



17 Align the glass holes with the bracket holes. Replace and tighten the three thumb screws to secure the glass shade in place.

NOTE: To replace the lamp:

- Turn the power to the fixture off.
- While supporting the glass shade, remove the three thumb screws.
- Remove the tube glass.
- Remove the old lamp.
- Follow 14 through 17.

SAVE THESE INSTRUCTIONS!



7400 Linder Ave, Skokie, IL 60077

800.323.3226 - 847.626.6300

www.lblighting.com

© 2008 LBL Lighting. All rights reserved. The "LBL Lighting" graphic is a registered trademark of LBL Lighting. LBL Lighting reserves the right to change specifications for product improvements without notification.

A Generation Brands Company