

Stingray Curved Series

JW602_240 1.2



GENERAL PRODUCT INFORMATION:



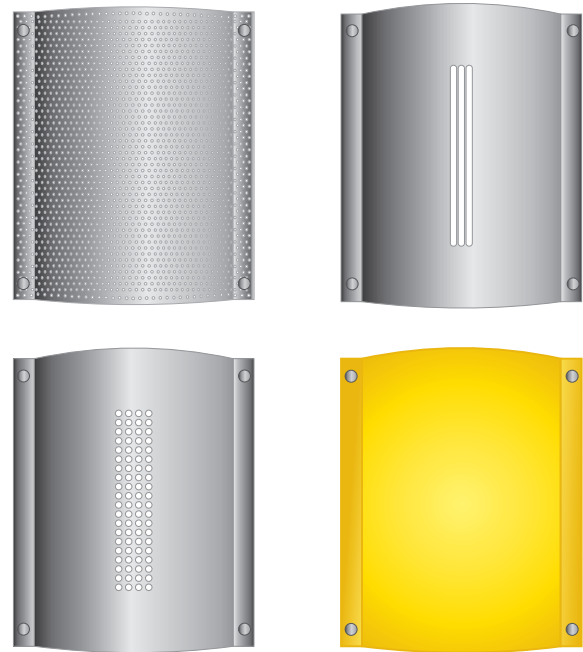
This product can mount to either a 4" square electrical box with round plaster ring or an octagon electrical box.

This product is suitable for indoor dry locations only.

This product can be dimmed with a standard incandescent dimmer.

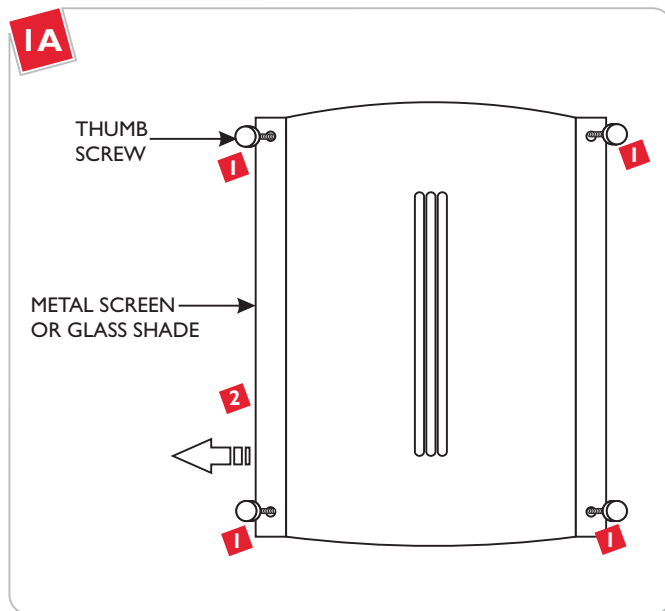
This instruction is for the following models:

- Stingray Pluto (JW6022_240)
- Stingray Mercury (JW6024_240)
- Stingray Saturn (JW6021_240)
- Stingray Venus (JW6026_240)

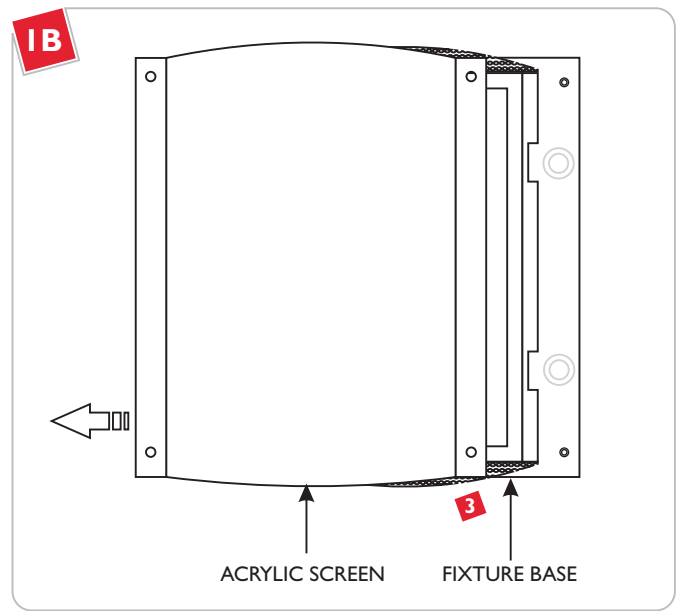


CAUTION - RISK OF FIRE
 This product requires installation by a qualified electrician. Before installing be sure to read all instructions and **TURN THE POWER TO THE ELECTRICAL BOX OFF.**

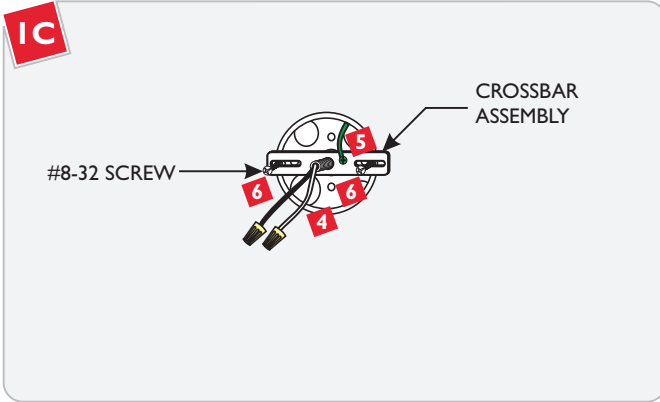
Install the Fixture



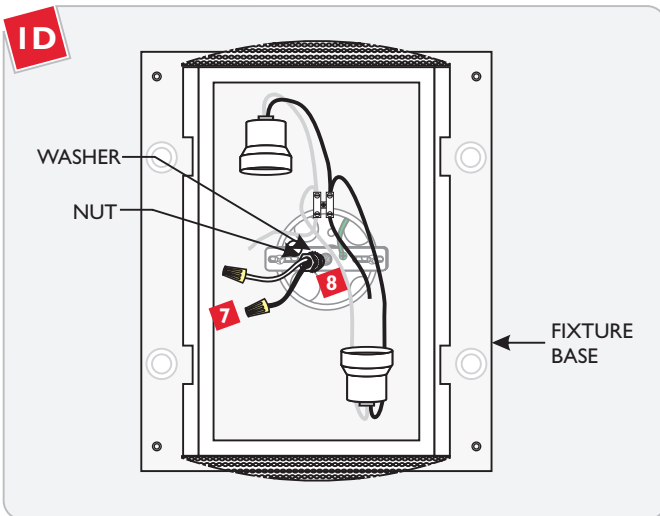
- 1** Unscrew and remove the four thumb screws.
- 2** Carefully remove the metal screen/glass shade.



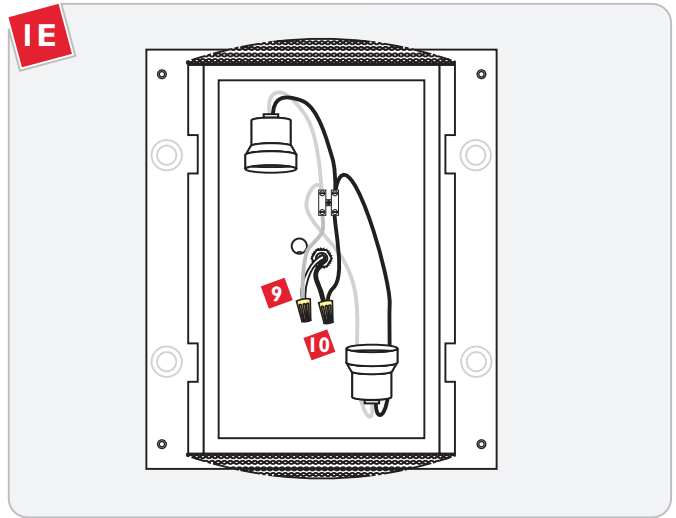
- 3** Lift the acrylic screen from the fixture base. **Omit this step for Stingray Venus.**



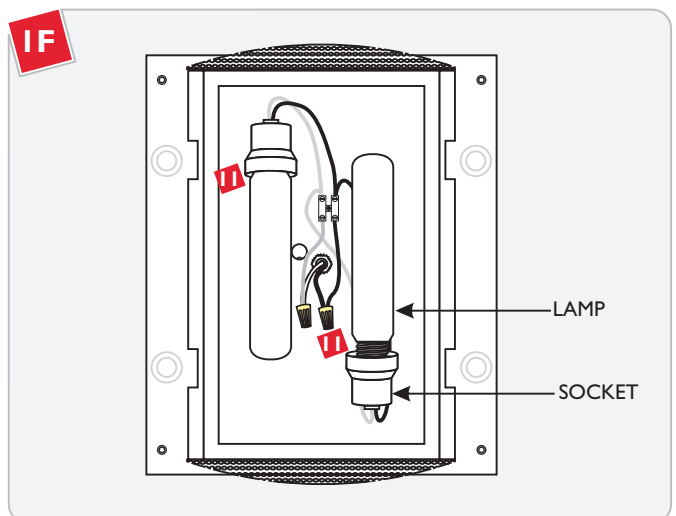
- 4 Feed the power line wires through the crossbar assembly nipple.
- 5 Ground the crossbar assembly in accordance with local electrical codes.
- 6 Mount the crossbar assembly to the electrical box with provided two #8-32 screws.



- 7 Feed the power line wires through the fixture base center hole, provided lock washer and nut.
- 8 Slide the fixture base onto the crossbar assembly nipple, align the fixture base and tighten the nut to secure it against the wall.



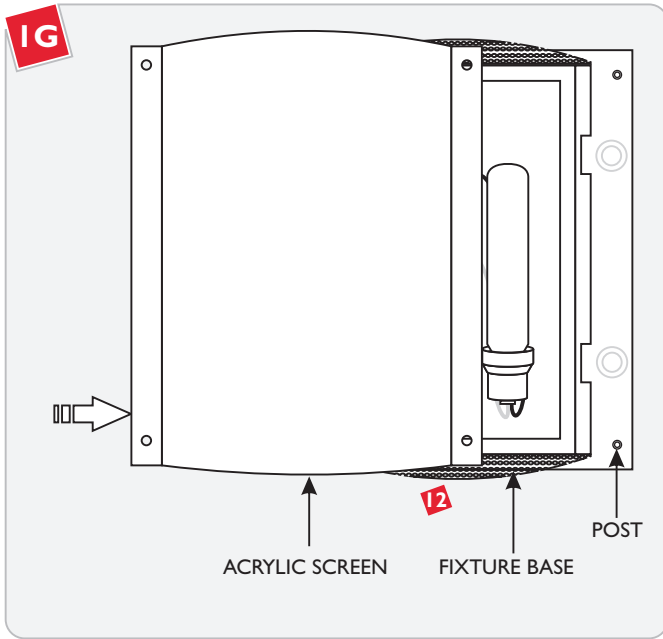
- 9 Connect the white fixture wire to the neutral power line wire with a wire nut
- 10 Connect the black fixture wire to the hot power line wire with a wire nut.



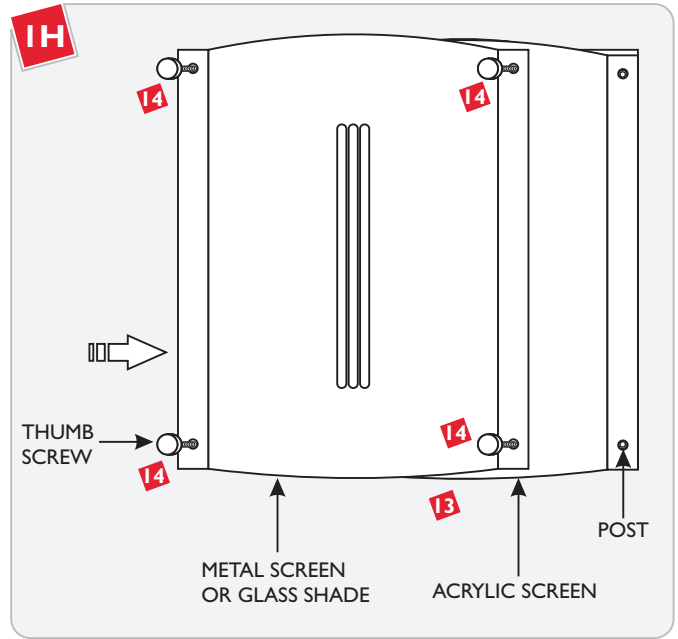
CAUTION: To reduce the risk of a burn or electric shock during relamping, disconnect the power to the fixture.

Use **ONLY MAX** 120 Volt, 40 Watt Type T10 Medium Base Lamp With Each Socket.

- 11 Screw the lamps completely into the sockets.



- 12** Replace the acrylic screen onto the fixture base. Make sure that the acrylic screen holes are properly set onto the fixture base posts. Hold the acrylic screen in place. **Omit this step for Stingray Venus.**



- 13** Replace the metal screen/glass shade. Make sure that the metal screen/glass shade holes are properly set onto the fixture base posts.
- 14** While holding the metal screen/glass shade in place, replace and tighten all four thumb screws.

NOTE: To replace the lamp, follow steps 1 through 3 on page 1, remove the old lamp(s), and then follow steps 11 through 14 on page 2 and 3.

SAVE THESE INSTRUCTIONS!



7400 Linder Ave, Skokie, IL 60077

800.323.3226 - 847.626.6300

www.lblighting.com

© 2008 LBL Lighting. All rights reserved. The "LBL Lighting" graphic is a registered trademark of LBL Lighting. LBL Lighting reserves the right to change specifications for product improvements without notification.

A Generation Brands Company