

# Silver Bullet (Compact Fluorescent Version)

PF900\_32T

1.0



## GENERAL PRODUCT INFORMATION:



This product can mount to either a 4" square electrical box with round plaster ring or an octagon electrical box.

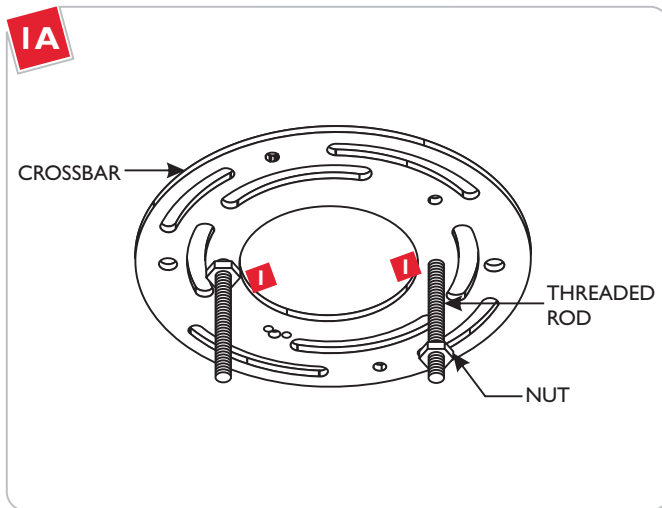
This product is suitable for indoor dry locations only.

### CAUTION - RISK OF FIRE

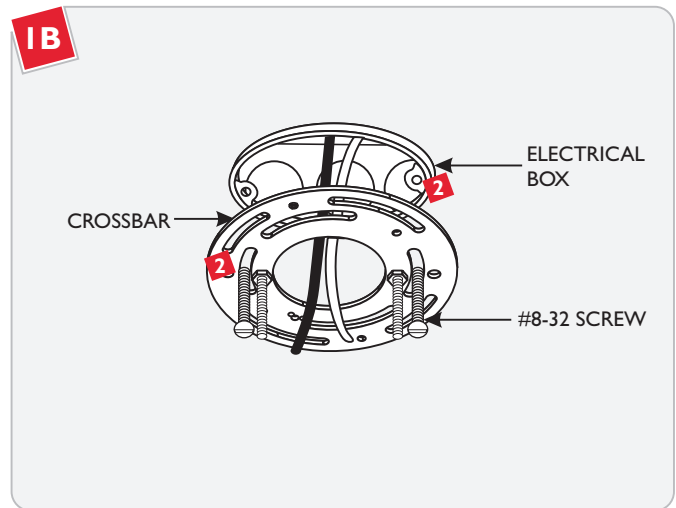
This product requires installation by a qualified electrician. Before installing be sure to read all instructions and **TURN THE POWER TO THE ELECTRICAL BOX OFF.**



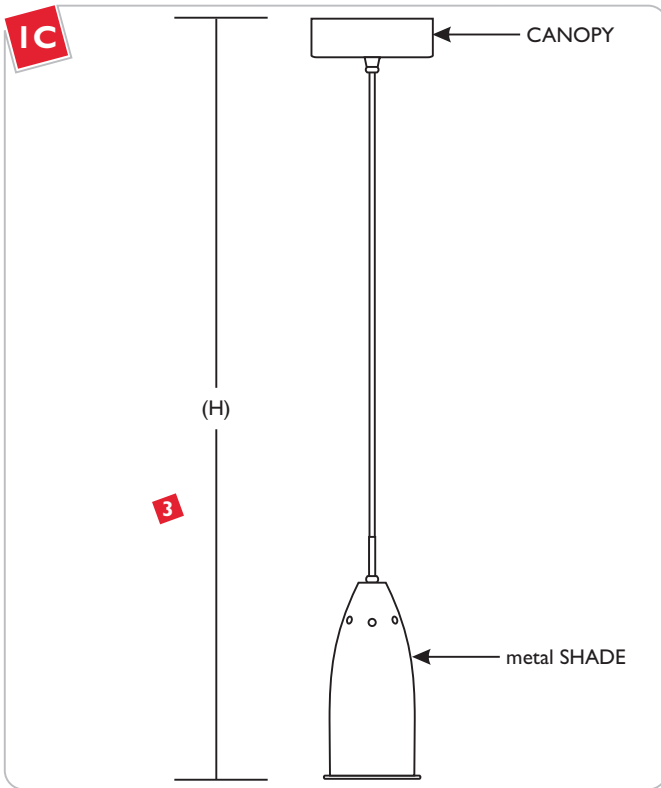
## Install the Fixture



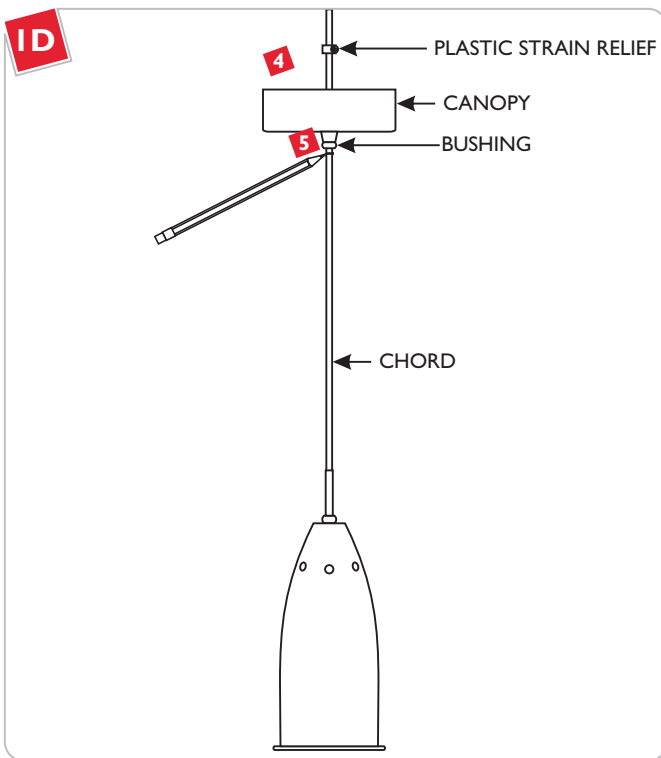
**1** Screw one nut onto each threaded rod and tighten it to secure the threaded rod in place.



**2** Mount the crossbar to the electrical box with two #8-32 screws.

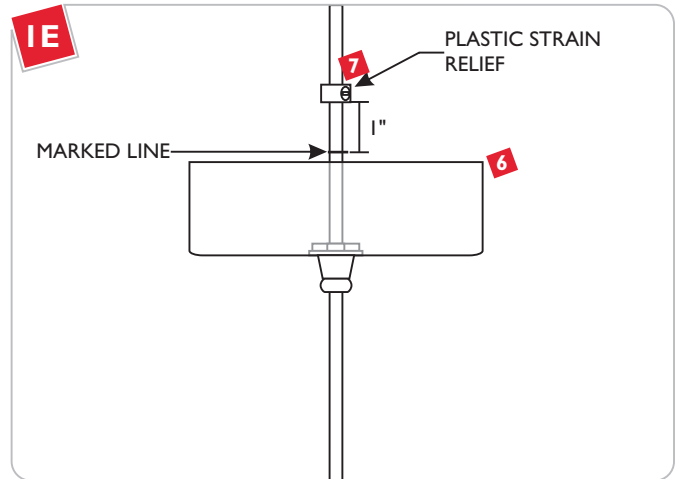


**3** Determine the desired fixture height (From the bottom of metal shade to the top of canopy).



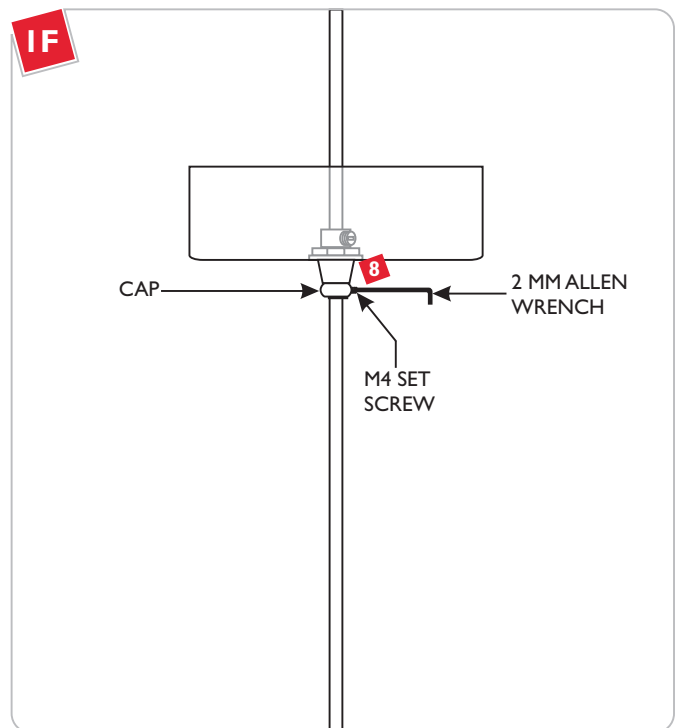
**4** Feed the cord into the canopy and plastic strain relief.

**5** Adjust the fixture height and mark the cord below the canopy bushing.

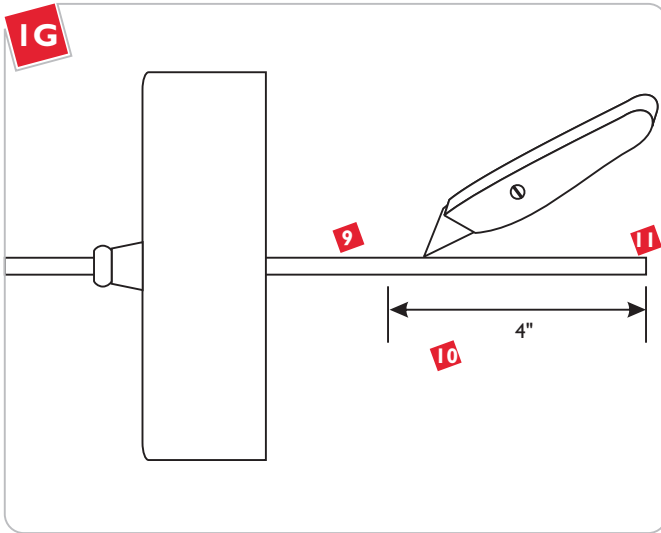


**6** Feed the cord inside the canopy so that the marked line is exposed behind the canopy.

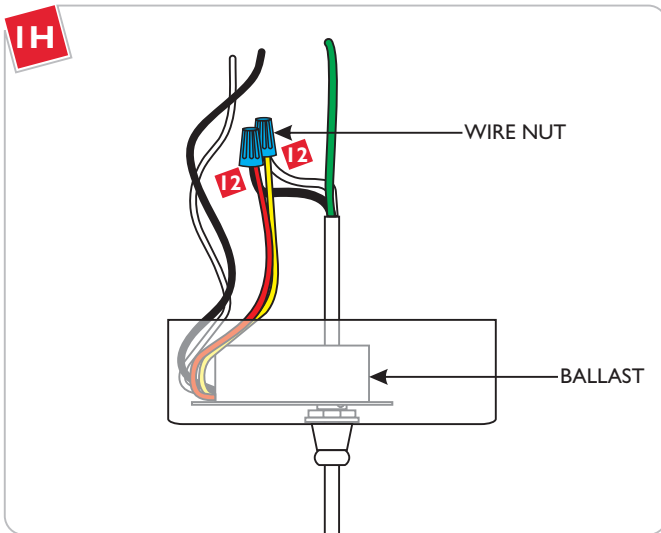
**7** Hold the plastic strain relief 1" above the marked line and tighten the set screw.



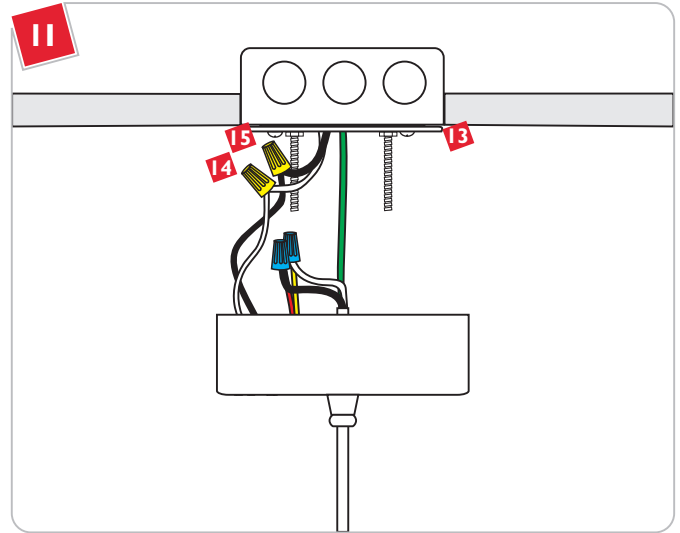
**8** Slide the canopy up against the plastic strain relief and tighten the M4 set screw snugly on the cap with 2 MM Allen wrench.



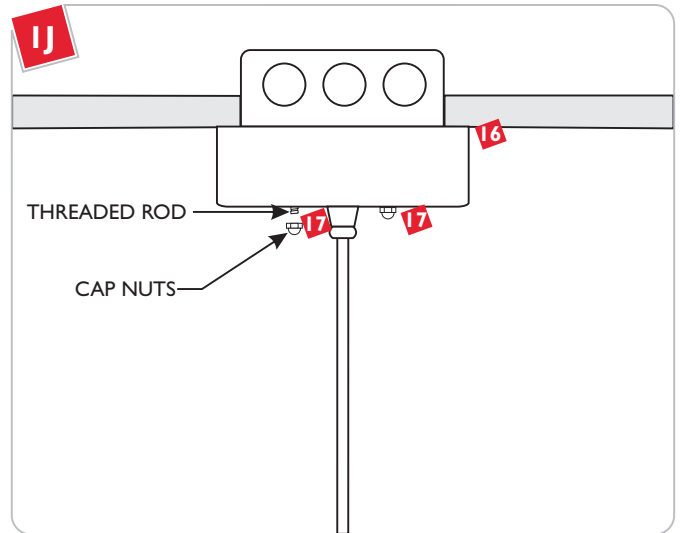
- 9** Leave 6" of the cord behind the canopy for power connections and cut the excess cord.
- 10** From the end of the cord remove 4" of the cord insulation.
- 11** Strip 1/4" of the insulation from the wire ends.



- 12** Connect one ballast wire to each fixture wire (except ground wire) with a wire nut.

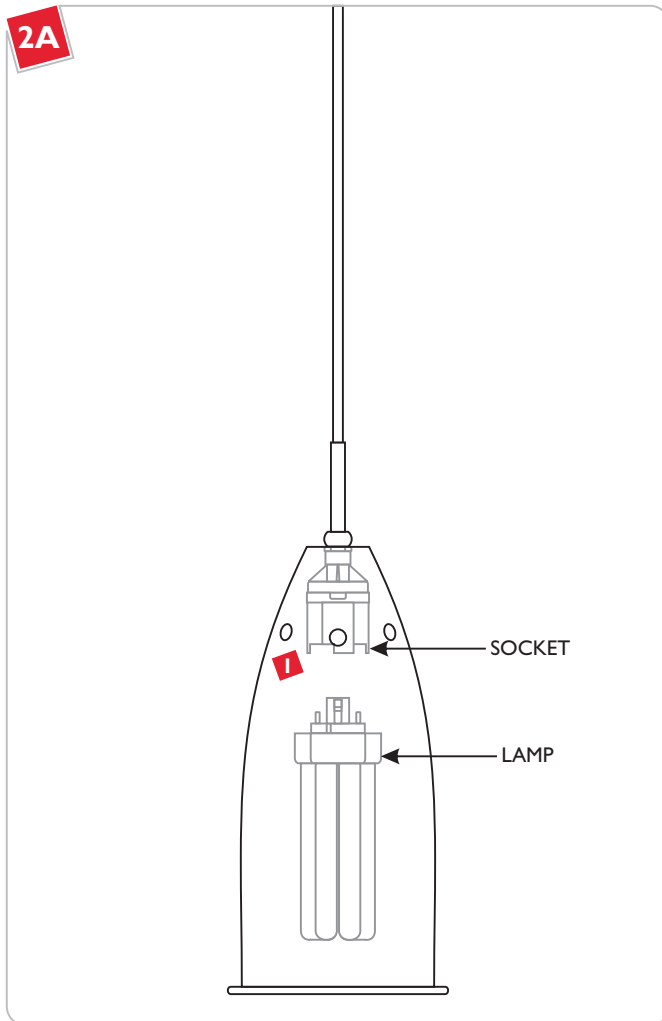


- 13** In accordance with local electrical codes, make sure that the crossbar and fixture ground wire are grounded.
- 14** Connect the white ballast wire to the neutral power line wire with a wire nut.
- 15** Connect the black ballast wire to the hot power line wire with a wire nut.



- 16** Place all wires and wire nut connections properly inside the canopy housing.
- 17** Slide the canopy onto the threaded rods and secure it in place by tightening the cap nuts completely to the threaded rods.

## Install the Lamp



**CAUTION:** To reduce the risk of a burn or electric shock during relamping, disconnect the power to the fixture.

Use **MAX 32** Watt Type Triple Tube GX24q-3 Base Compact Fluorescent Lamp.



**1** Push the lamp pins completely into the socket holes.

**SAVE THESE INSTRUCTIONS!**

 **LBL Lighting**

7400 Linder Ave, Skokie, IL 60077

800.323.3226 - 847.626.6300

[www.lblighting.com](http://www.lblighting.com)

© 2008 LBL Lighting. All rights reserved. The "LBL Lighting" graphic is a registered trademark of LBL Lighting. LBL Lighting reserves the right to change specifications for product improvements without notification.

A Generation Brands Company