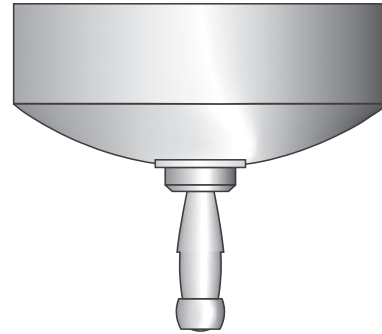


75 Watt Magnetic Single Direct Power Feed Surface Mount Transformers

TRANSDIR-SFM75_

1.2



CAUTION - RISK OF FIRE

This product requires installation by a qualified electrician. Before installing be sure to read all instructions and **DISCONNECT POWER TO THE ELECTRICAL BOX.**

GENERAL PRODUCT INFORMATION:



This product is ETL listed only when all the products used are supplied by LBL Lighting, is suitable only for indoor dry locations and approved for use at any height above the finished floor.

A typical installation is shown. Specific installation must be in accordance with local electrical codes.

This product may be dimmed only with a low voltage magnetic dimmer. Using a dimmer not designed for low voltage magnetic applications may cause undesirable noise and potentially shorten the life of the transformer.

This product is intended for use with LBL low voltage lighting systems only.

Read all instructions thoroughly before beginning installation.

Important Safety Information

To reduce the risk of fire and burns, do not install this lighting system where the uninsulated open bus bar conductors can be shorted or contact any conductive materials.

To reduce the risk of the system overheating and possibly causing a fire, make sure all the connections are tight.

Do not install fixture assemblies closer than 6 inches to curtains or similarly combustible materials.

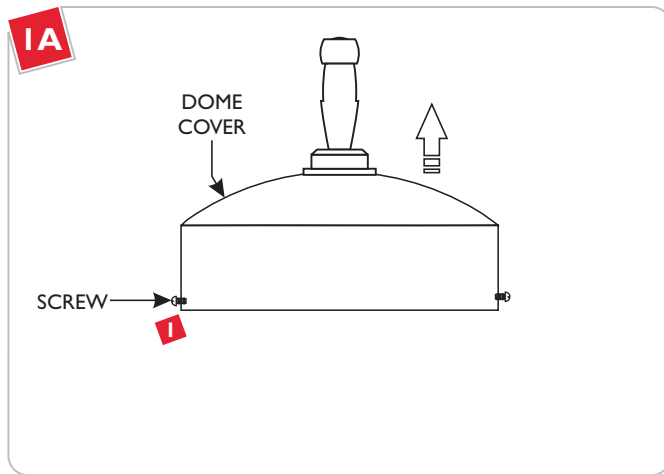
Turn the electrical power off before modifying the lighting system in any way.

The fixtures used with the system must be identified to be used with the corresponding system.

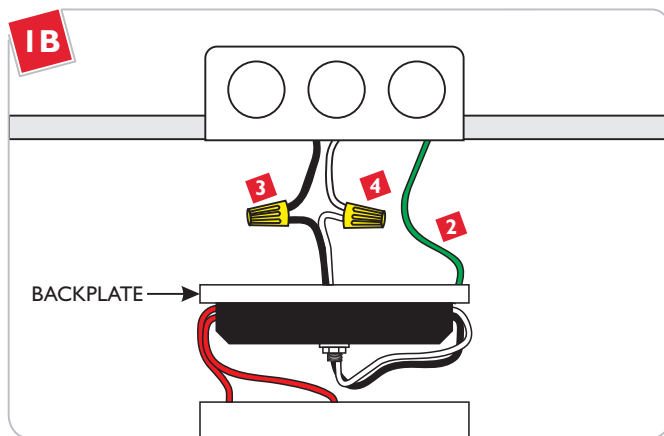
Minimum volume of the electrical box must be 6 cubic inches (98 cubic centimeters).

Load the circuit of the surface mount transformer to no more than the maximum rated capacity as specified.

Install the Transformer

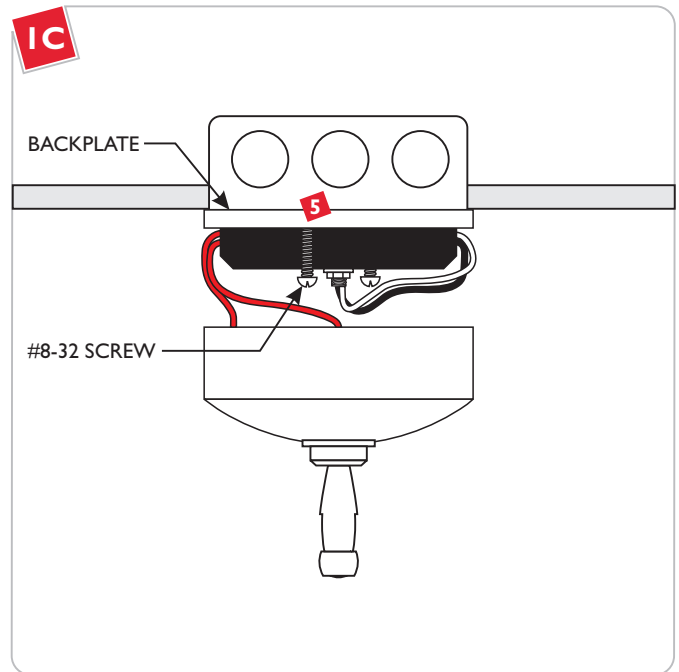


1 Remove the screws on the side of the transformer dome cover and lift the cover off of the backplate.

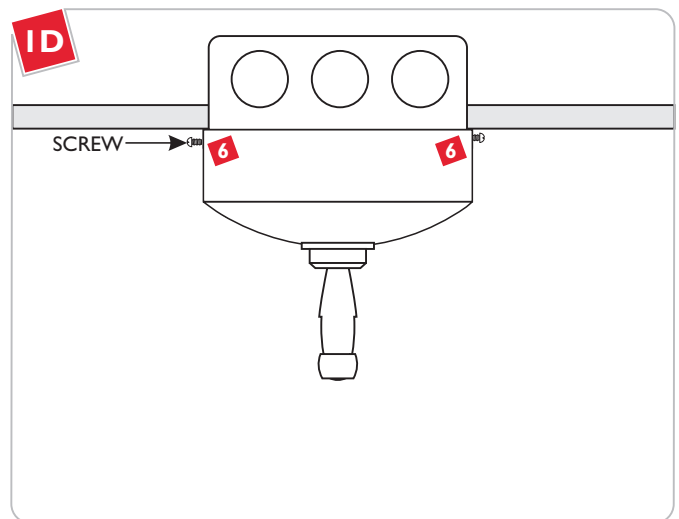


CAUTION: Disconnect power to the electrical box!

- 2** Connect the green wire to a suitable ground in accordance with local electrical codes.
- 3** Connect the black transformer wire to the hot power line wire with a wire nut.
- 4** Connect the white transformer wire to the neutral power line wire with a wire nut.

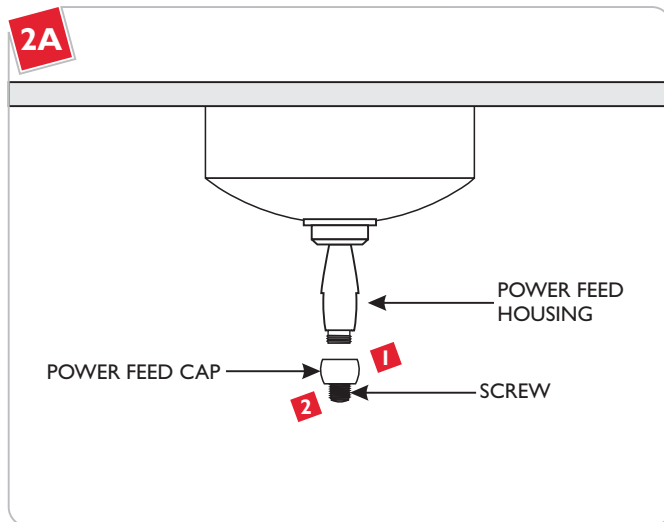


5 Mount the backplate to the electrical box with two #8-32 screws.



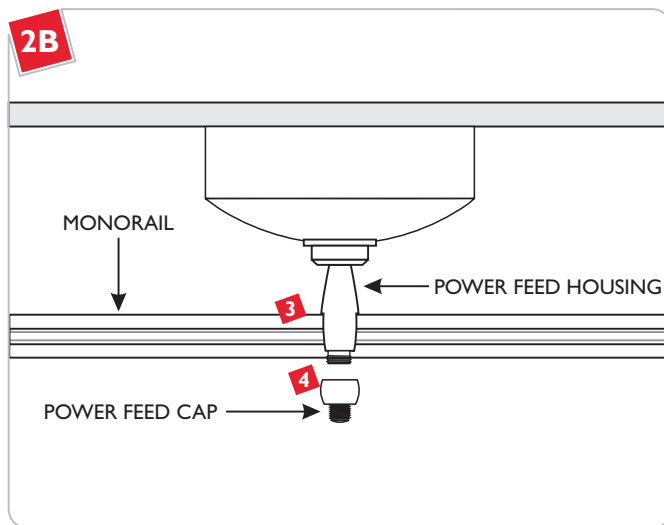
6 Reattach the dome cover to the backplate with the screws.

Connect the Monorail to Transformer

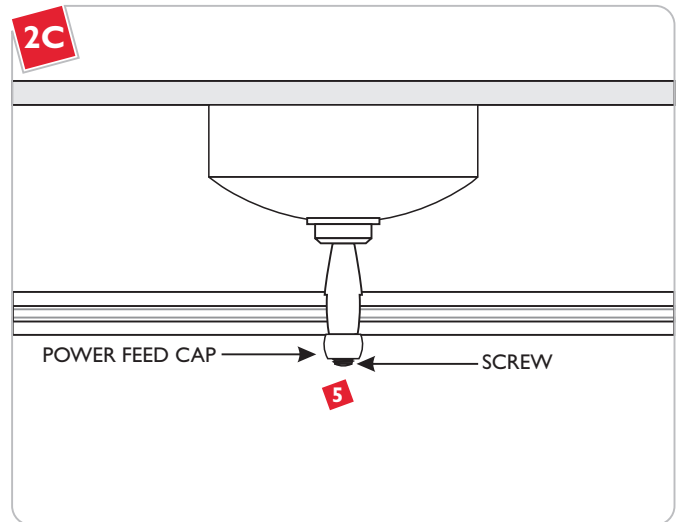


NOTE: The standoffs should be installed to support the Monorail while connecting Monorail to the surface mount transformer. Refer to the instruction provided with the standoffs.

- 1 Remove the power feed cap from the power feed housing.
- 2 Completely back out the screw on the power feed cap.



- 3 Place a Monorail section into the standoffs and power feed housings.
- 4 Screw the power feed cap completely to the power feed housing. **Make sure that the power feed cap is not cross threaded.**



- 5 Tighten the screw on the power feed cap for proper power connection.

SAVE THESE INSTRUCTIONS!



7400 Linder Ave, Skokie, IL 60077
800.323.3226 - 847.626.6300

www.lblighting.com

© 2008 LBL Lighting. All rights reserved. The "LBL Lighting" graphic is a registered trademark of LBL Lighting. LBL Lighting reserves the right to change specifications for product improvements without notification.

A Generation Brands Company