

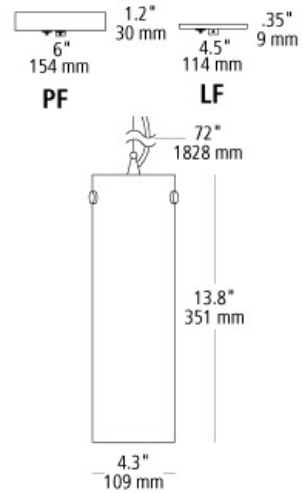
### juniper line-voltage pendant

**DESCRIPTION**

Mouth-blown glass cylinder with sandblasted vertical lines. 6' suspension cable and clear cord. Fluorescent includes (1) 32 watt GX24Q-3 base triple tube compact fluorescent lamp and electronic ballast; Incandescent accepts (1) 100 watt or equivalent E26 medium base A19 lamp (not included). 120V.



opal



**ORDERING INFORMATION**

type	model	color	finish	lamp
LF Incandescent	229	OP opal	PC polished chrome	2D100 E26 A19 100w (LF only)
PF Compact Fluorescent			SC satin nickel	32T GX24Q-3 32w Triple Tube (PF Only)

FIXTURE TYPE: \_\_\_\_\_

JOB NAME: \_\_\_\_\_

NOTES: \_\_\_\_\_

\_\_\_\_\_

\_\_\_\_\_



7400 Linder Avenue  
 Skokie, Illinois 60077  
 T 847.626.6300  
 F 847.626.6350

[www.lblighting.com](http://www.lblighting.com)



©2013 LBL Lighting. All Rights Reserved. The "LBL Lighting" graphic is a registered trademark of LBL Lighting. LBL Lighting reserves the right to change specifications for product improvements without notification.