

Iris (Halogen Version)

HWAPII_SC2N100 | **1.3**


Wall Sconces

GENERAL PRODUCT INFORMATION:



This product can mount to either a 4" square electrical box with round plaster ring or an octagon electrical box.

This product is suitable for damp locations.

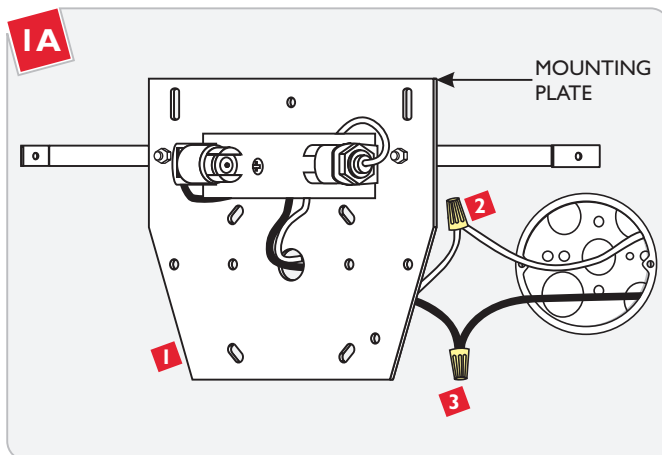
This product can be dimmed with a standard incandescent dimmer.



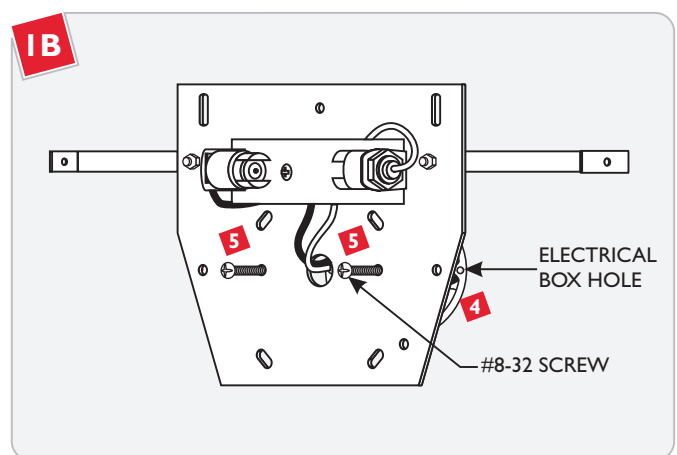
CAUTION - RISK OF FIRE

This product requires installation by a qualified electrician. Before installing be sure to read all instructions and **DISCONNECT POWER TO THE ELECTRICAL BOX.**

Install the Fixture

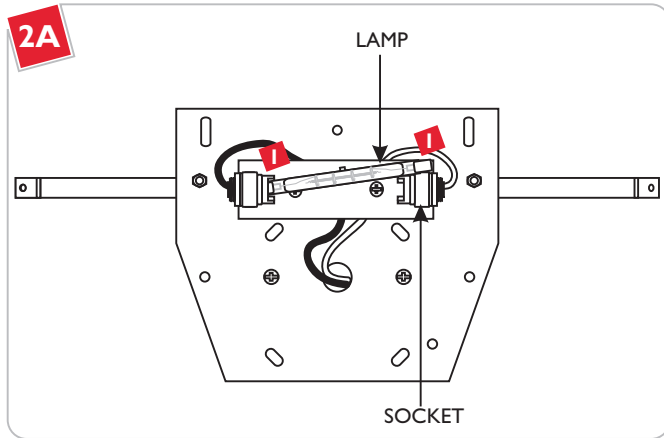


- 1** In accordance with local electrical codes, make sure that the mounting plate is grounded.
- 2** Connect the fixture white wire to the neutral power line wire with a wire nut.
- 3** Connect the fixture black wire to the hot power line wire with a wire nut.



- 4** Place all wires and wire nut connections properly inside the electrical box.
- 5** Align the mounting plate holes with electrical box holes and tighten with two #8-32 screws to secure the fixture in place.

Install the Lamp & Shade



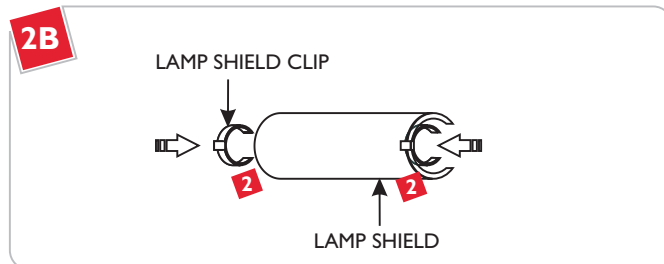
NOTE: To reduce the risk of a burn or electric shock during relamping, disconnect the power to the fixture.

NOTE: Use only your fingers and a soft cloth to install the lamp.

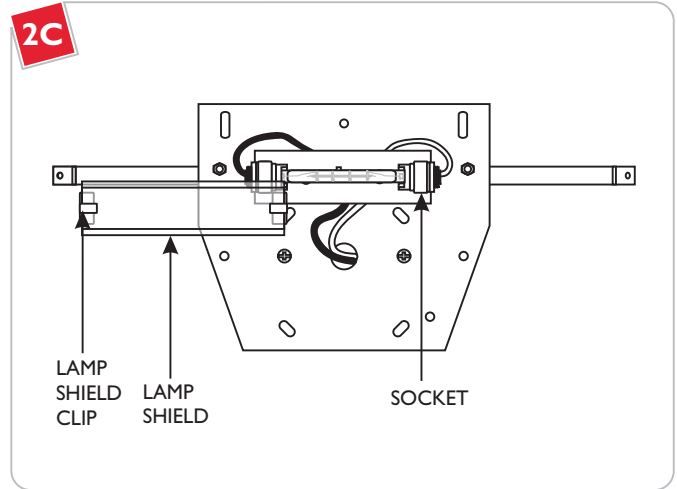
Use **MAX 100** Watt Type
T3-78mm, Double End Halogen Lamp.



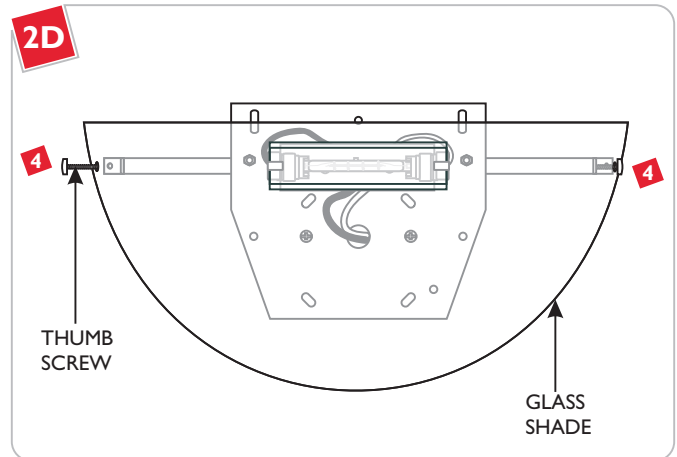
- 1 Place one end of the lamp onto one socket pin, while pushing the lamp against that socket pin slide the other end onto the other socket pin.



- 2 Snap the lamp shield clips onto the lamp shield ends.



- 3 Install the lamp shield, by snapping the lamp shield clips onto the sockets.



- 4 Place the glass shade onto the mounting plate. Align the glass shade holes with the mounting plate holes. Tighten the thumb screws to secure the glass shade in place.

NOTE: Do not over tighten the thumb screw which may cause the glass shade to break.

IMPORTANT SAFETY INSTRUCTIONS

To reduce the risk of fire, electrical shock, exposure to excessive UV radiation, or injury to person:

- Use this fixture indoors only.
- Do not look directly at the lighted lamp.
- Do not remain in light if skin feels warm.
- Risk of fire: Use only the type of lamp and maximum wattage indicated in this instruction manual.
- Never cover the halogen lamp with anything other than a Tech Lighting lamp shield and never place flammable material close to your fixture.
- Do not touch the fixture shades or lamp shield while the fixture is on. These surfaces may be HOT.
- To avoid glare in child's eyes, hang the fixture at least 18" above a table.

Halogen Lamp General Information

- It is normal for a new halogen lamp to smoke slightly on first use. The protective coating is being vaporized.

Prolonging Halogen Lamp Life

- Do not touch the lamp with bare hands. Any contaminant, even the oil from your hands can deteriorate the lamp. Handle the lamp with a soft, clean cloth. Rubbing alcohol can be used to remove any contaminant from the lamp.
- Do not run the lamps at full power when you do not need to. However, if dimming the fixture for an extended period of time, occasionally bring the light up to full brightness for a few minutes to complete the halogen cycle.

SAVE THESE INSTRUCTIONS!



7400 Linder Ave, Skokie, IL 60077

800.323.3226 - 847.626.6300

www.lblighting.com

© 2008 LBL Lighting. All rights reserved. The "LBL Lighting" graphic is a registered trademark of LBL Lighting. LBL Lighting reserves the right to change specifications for product improvements without notification.

A Generation Brands Company