

# Iris 2X13W Compact Fluorescent Wall

PWAPII\_SC213\_ 1.4



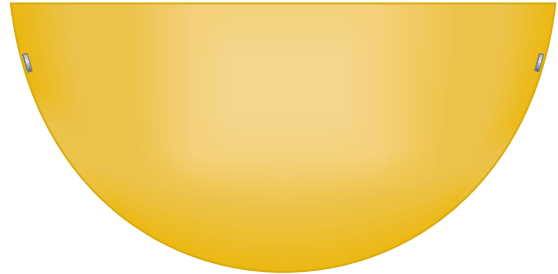
Wall Sconces

## GENERAL PRODUCT INFORMATION:



This product can mount to either a 4" square electrical box with round plaster ring or an octagon electrical box.

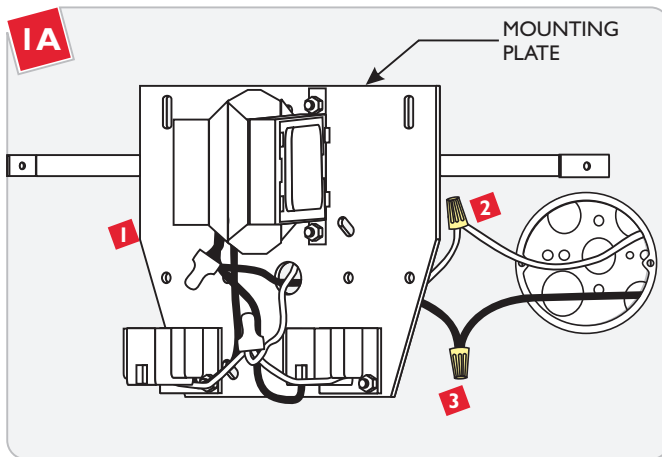
This product is suitable for indoor dry locations only.



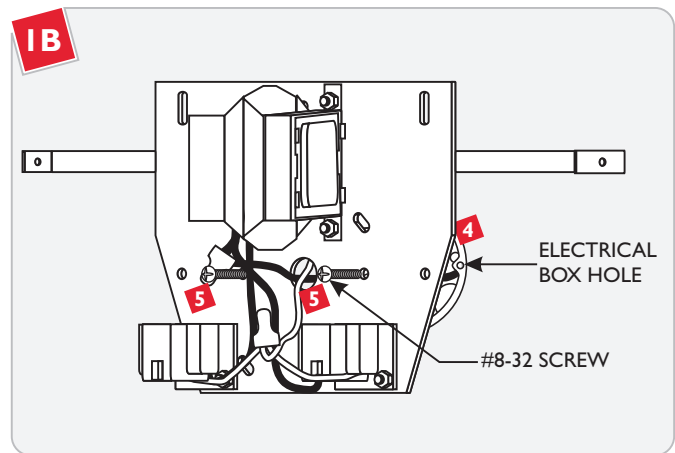
### CAUTION - RISK OF FIRE

This product requires installation by a qualified electrician. Before installing be sure to read all instructions and **TURN THE POWER TO THE ELECTRICAL BOX OFF.**

## Install the Fixture

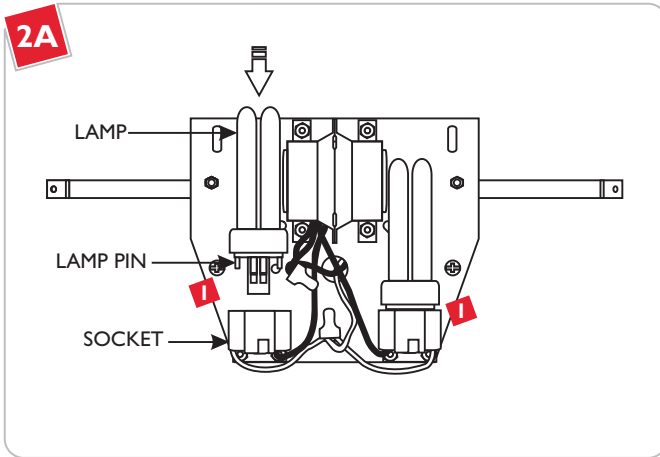


- 1 In accordance with local electrical codes, make sure that the mounting plate is grounded.
- 2 Connect the fixture white wire to the neutral power line wire with a wire nut.
- 3 Connect the fixture black wire to the hot power line wire with a wire nut.



- 4 Place all wires and wire nut connections properly inside the electrical box.
- 5 Align the mounting plate holes with electrical box holes and tighten the two #8-32 screws to secure the fixture in place.

## Install the Lamp & Shade



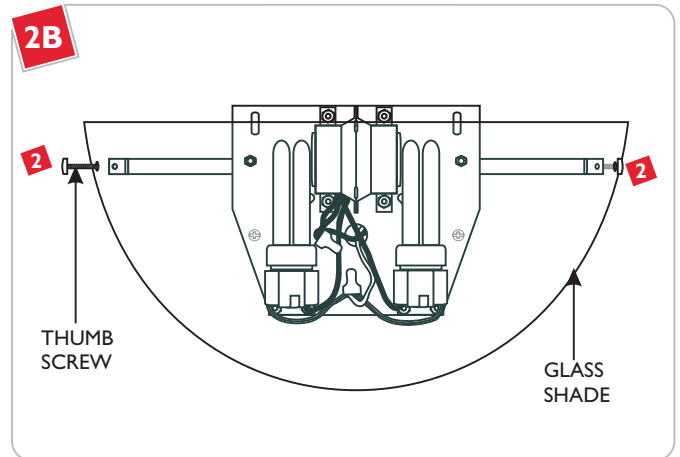
For The Fixtures With Electronic Ballast,  
Use **MAX 13** Watt Type Quad Tube G24q-1  
Base 4-PIN Compact Fluorescent Lamp,  
With Each Socket.



For The Fixtures With Magnetic Ballast,  
Use **MAX 13** Watt Type Quad Tube  
GX23-2 Base Compact Fluorescent Lamp,  
With Each Socket.



- 1** Push the lamp pins completely into the socket holes.



- 2** Place the glass shade onto the mounting plate. Align the glass shade holes with the mounting plate holes. Tighten the thumb screws to secure the glass shade in place.

**NOTE:** Do not over tighten the thumb screws which may cause the glass shade to break.

**SAVE THESE INSTRUCTIONS!**

 **LBL Lighting**

7400 Linder Ave, Skokie, IL 60077

800.323.3226 - 847.626.6300

[www.lblighting.com](http://www.lblighting.com)

© 2008 LBL Lighting. All rights reserved. The "LBL Lighting" graphic is a registered trademark of LBL Lighting. LBL Lighting reserves the right to change specifications for product improvements without notification.

A Generation Brands Company