



**Wall Sconces**

**GENERAL PRODUCT INFORMATION:**



This product can mount to either a 4" square electrical box with round plaster ring or an octagon electrical box.

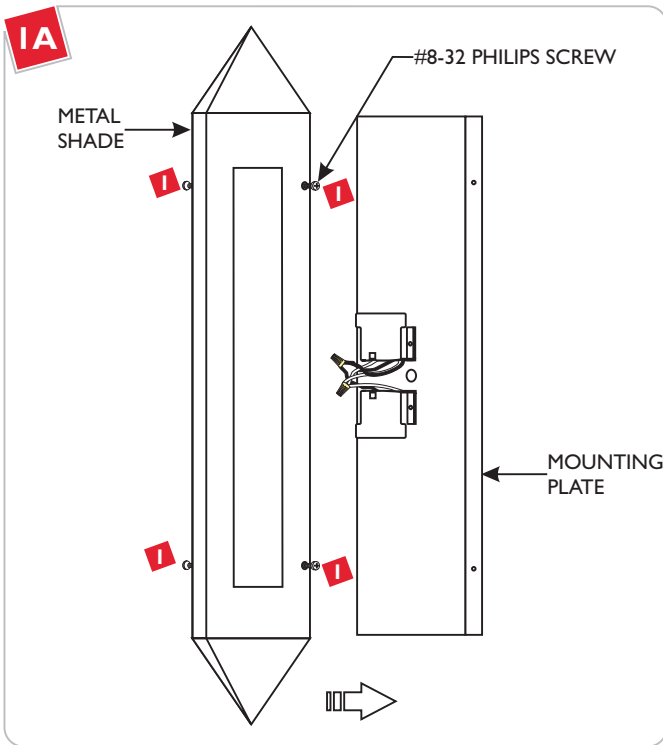
This product is suitable for indoor dry locations only.

This product can be dimmed with a standard incandescent dimmer.

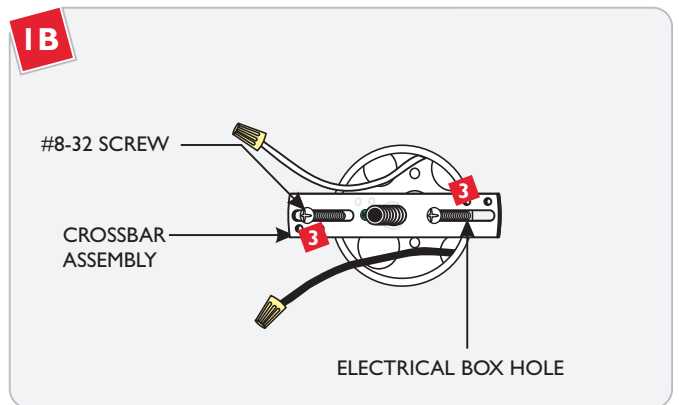
**CAUTION - RISK OF FIRE**  
 This product requires installation by a qualified electrician. Before installing be sure to read all instructions and **TURN THE POWER TO THE ELECTRICAL BOX OFF.**



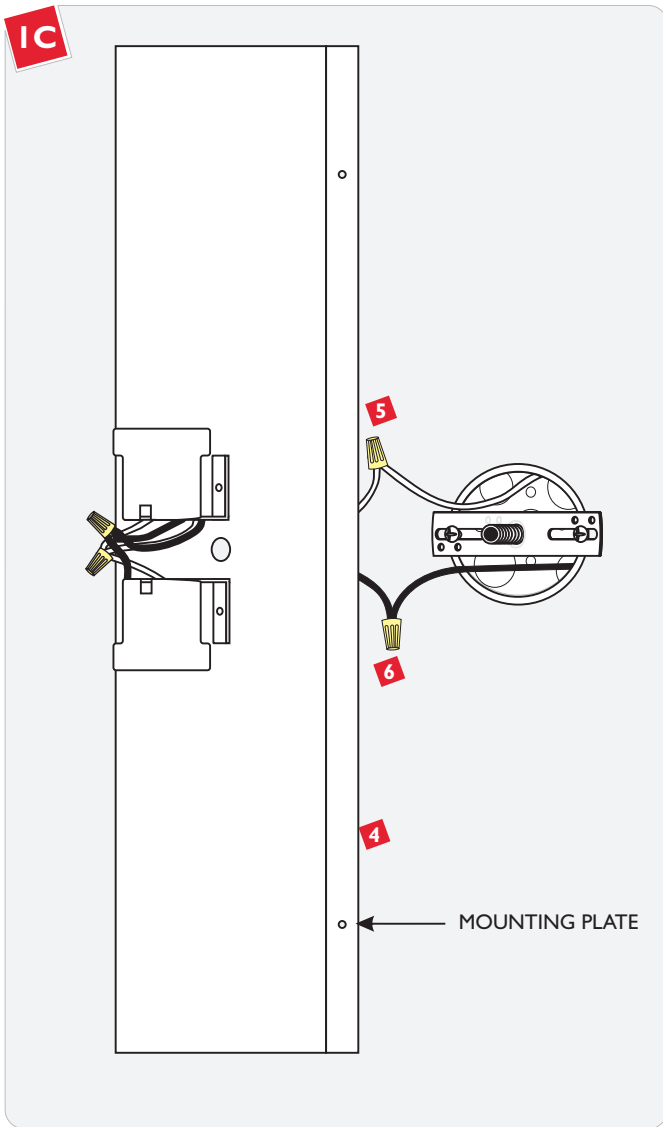
**Install the Fixture**



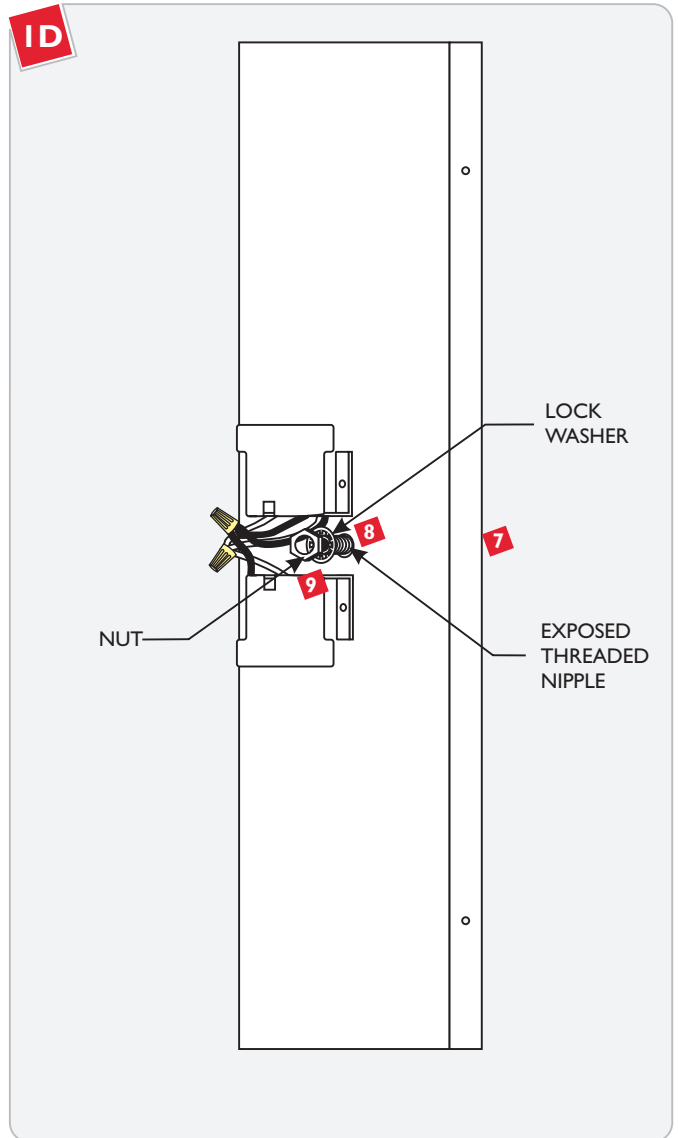
- 1** Unscrew and remove the four #8-32 Philip screws from the metal shade sides.
- 2** Remove the mounting plate.



- 3** Mount the crossbar assembly to the electrical box holes with the two #8-32 screws provided.

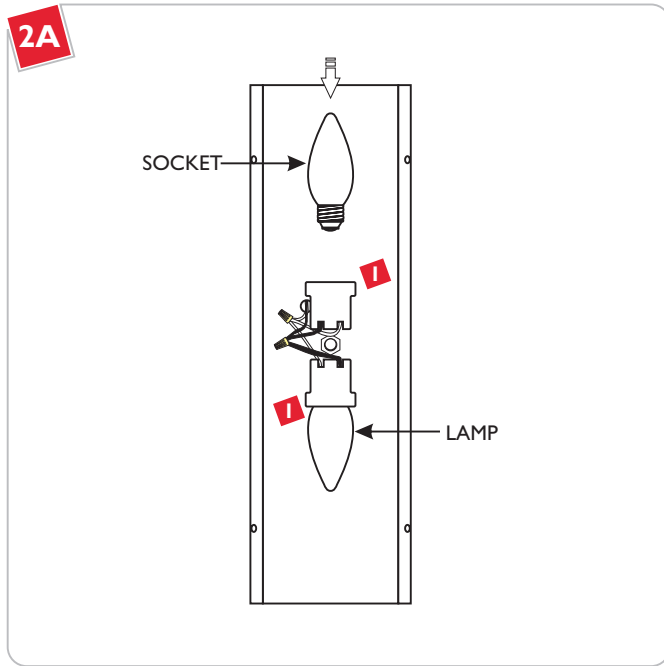


- 4** In accordance with local electrical codes, make sure that the mounting plate is grounded.
- 5** Connect the fixture white wire to the neutral power line wire with a wire nut.
- 6** Connect the fixture black wire to the hot power line wire with a wire nut.



- 7** Place all wires and wire nut connections properly inside the electrical box.
- 8** Level the mounting plate vertically and slide the center hole completely onto the exposed threaded nipple.
- 9** Secure the mounting plate to the threaded nipple with lock washer and nut.

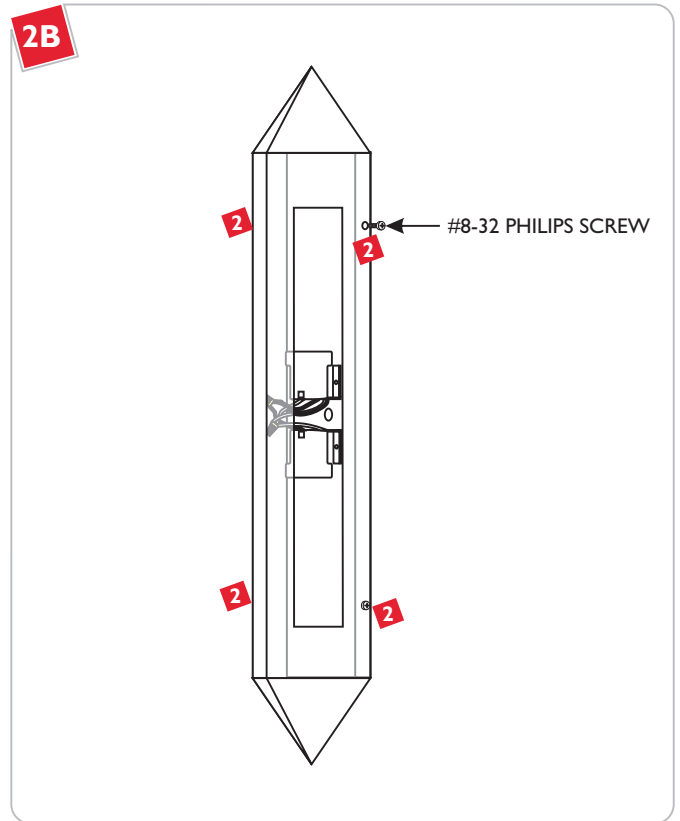
## Install the Lamp & Shade



Use **MAX 40** Watt Type B13 Medium Base Torpedo Lamp With Each Socket.



- 1 Screw the lamps into the socket.



- 2 Align the metal shade holes to the mounting plate side holes. Replace and tighten the four #8-32 Philip screws to secure the metal shade in place.

**SAVE THESE INSTRUCTIONS!**



7400 Linder Ave, Skokie, IL 60077

800.323.3226 - 847.626.6300

[www.lblighting.com](http://www.lblighting.com)

© 2008 LBL Lighting. All rights reserved. The "LBL Lighting" graphic is a registered trademark of LBL Lighting. LBL Lighting reserves the right to change specifications for product improvements without notification.

A Generation Brands Company