

# Suspension Canopy

CK001L\_ I.1



## GENERAL PRODUCT INFORMATION:

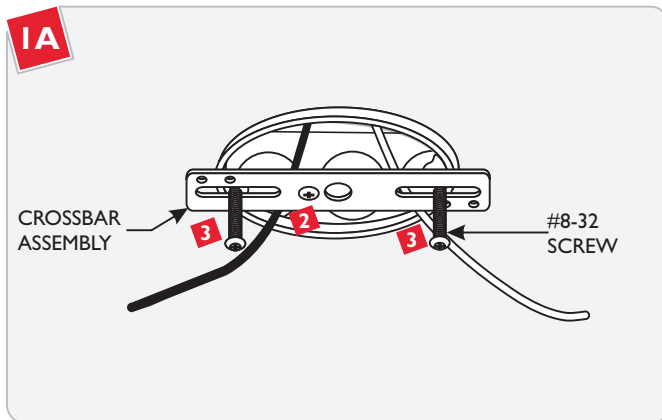


This product is suitable for indoor dry locations only.

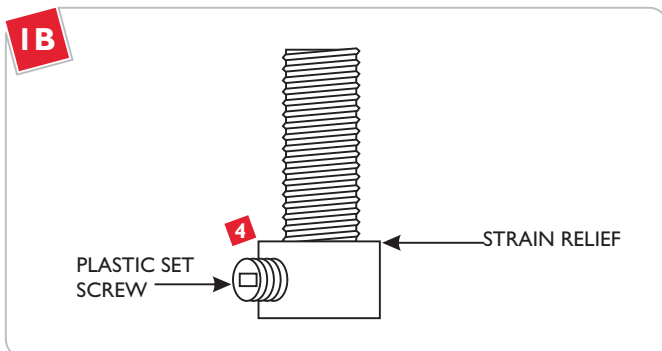
This product can be dimmed with a standard incandescent dimmer.



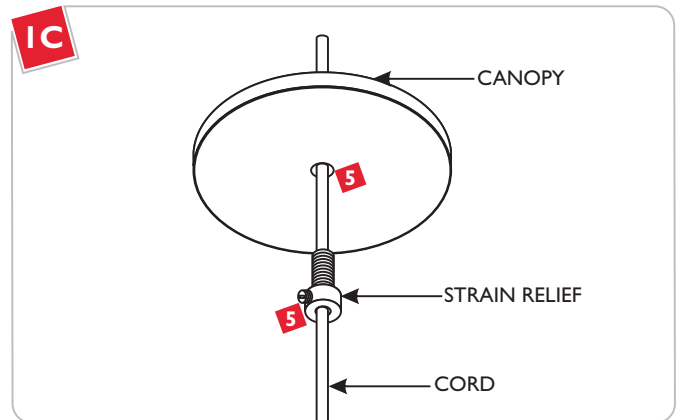
## Install the Canopy



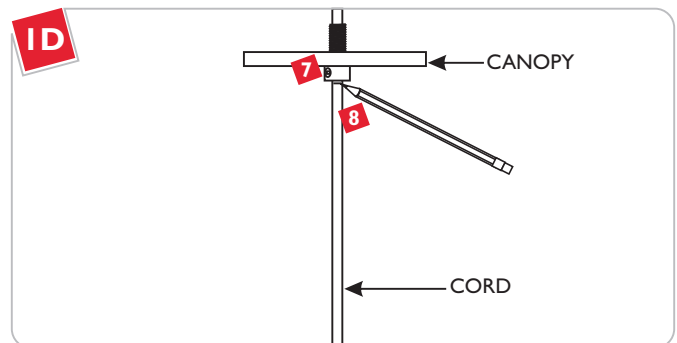
- 1 Turn the power to the electrical box off.
- 2 Make sure that the crossbar assembly is grounded in accordance with local electrical codes.
- 3 Mount the crossbar assembly to the electrical box with the two provided #8-32 screws.



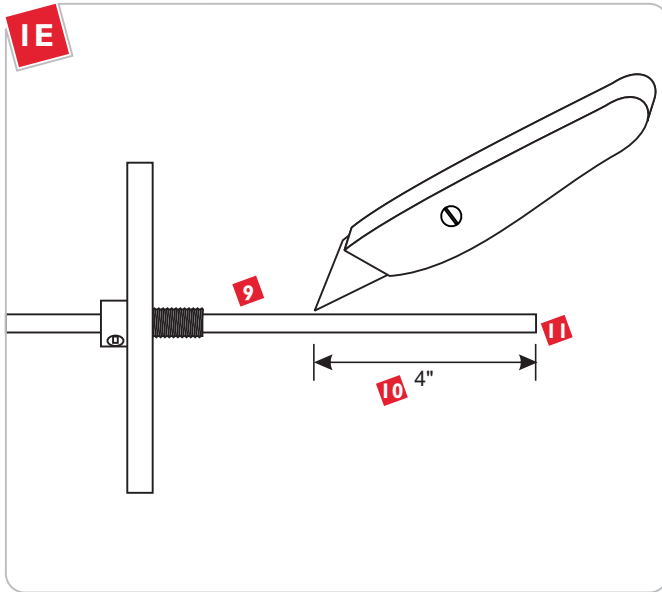
- 4 Loosen (**Do Not Remove**) the plastic set screw on the strain relief.



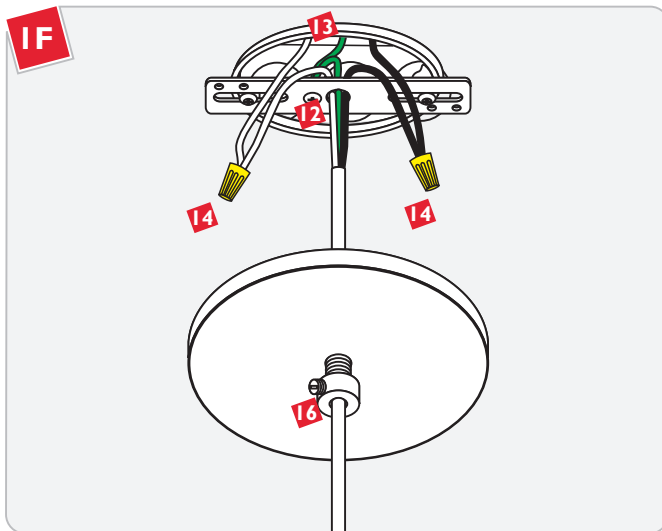
- 5 Feed the cord through the strain relief and the canopy.



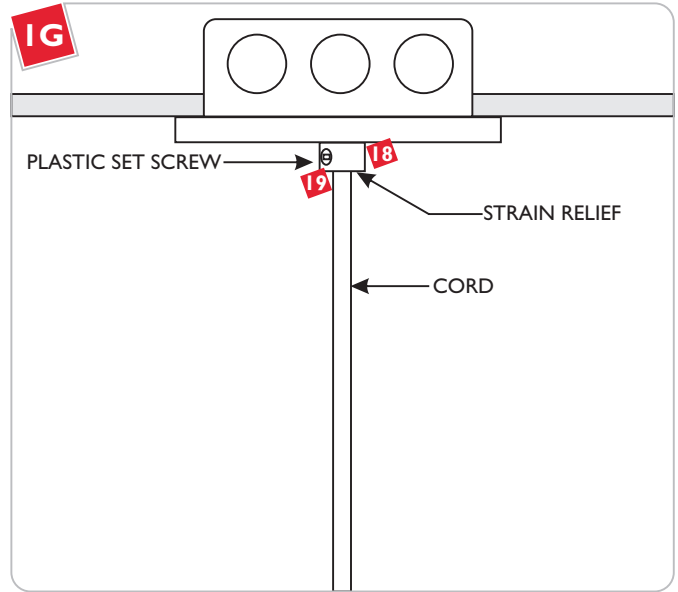
- 6 Adjust the fixture height (from bottom of the fixture shade to top of the canopy) by moving the canopy up or down.
- 7 When the desired height is achieved, tighten the plastic set screw on the strain relief.
- 8 Mark the cord underneath of the strain relief.



- 9** Leave 6" of the cord behind the canopy for power connections. Cut the excess cord.
- 10** From the end of the cord, strip the insulation 4" using a sharp knife. **Make sure not to nick the inner wires.**
- 11** Strip the end of the wires.



- 12** Feed the fixture wires through the crossbar center hole and then bring them out of the electrical box.
- 13** Connect the fixture ground wire to the ground in accordance with local electrical codes.
- 14** Connect the other fixture wires properly to power line wires with wire nuts.
- 15** Place all wires and wire nut connections properly inside the electrical box.
- 16** Loosen (**Do not remove**) the plastic set screw on strain relief so that it can slide.



**NOTE:** It is recommended that one person hold the fixture while the electrician finishes the installation.

- 17** Align the canopy center hole with the crossbar center hole.
- 18** Slide the canopy up against the ceiling and secure it in place by tightening the strain relief into the crossbar. **Do not turn the cord.**
- 19** Push the cord into the canopy and line up the marked point on the cord with bottom of the strain relief. Tighten the plastic set screw to secure the fixture in place.

**SAVE THESE INSTRUCTIONS!**

**LBL Lighting**

7400 Linder Ave, Skokie, IL 60077

800.323.3226 - 847.626.6300

[www.lblighting.com](http://www.lblighting.com)

© 2008 LBL Lighting. All rights reserved. The "LBL Lighting" graphic is a registered trademark of LBL Lighting. LBL Lighting reserves the right to change specifications for product improvements without notification.

A Generation Brands Company