

Daisy Wall

HW332_2H50

I.3



Wall Sconces

GENERAL PRODUCT INFORMATION:



This product can mount to either a 4" square electrical box with round plaster ring or an octagon electrical box.

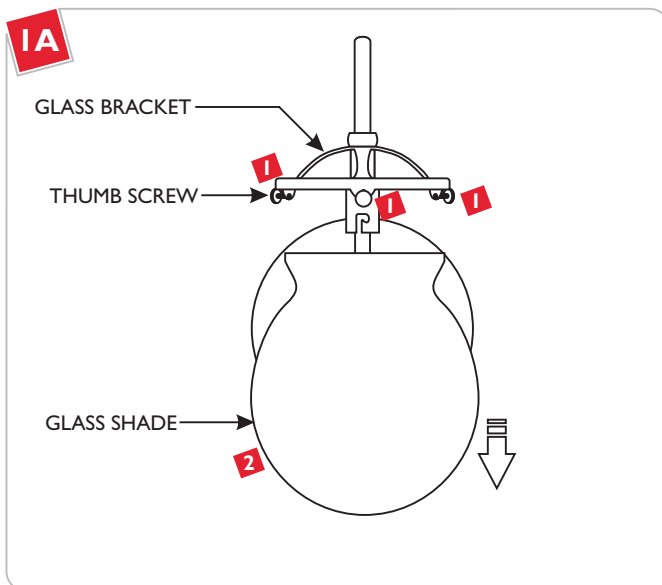
This product is suitable for indoor dry locations only.

This product can be dimmed with a standard incandescent dimmer.

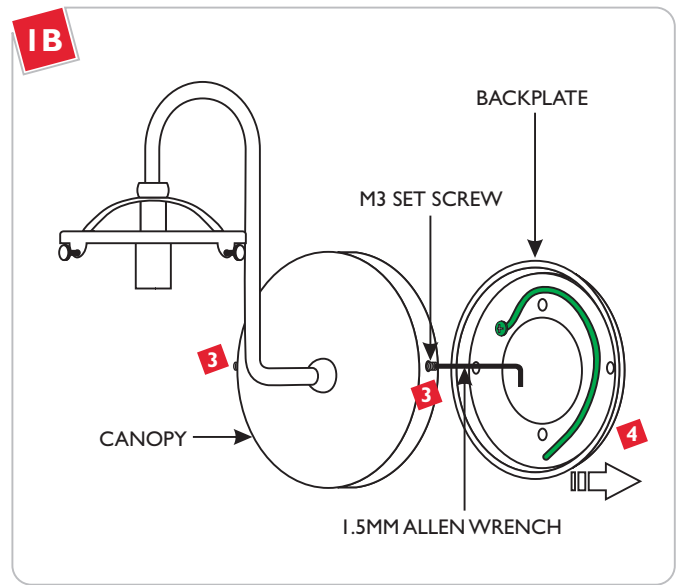


CAUTION - RISK OF FIRE
 This product requires installation by a qualified electrician. Before installing be sure to read all instructions and **TURN THE POWER TO THE ELECTRICAL BOX OFF.**

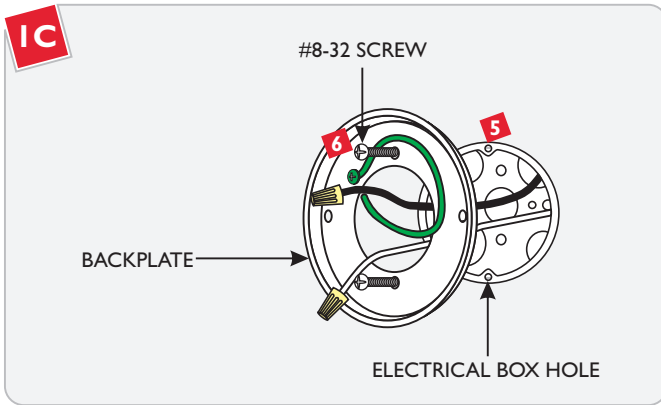
Install the Fixture



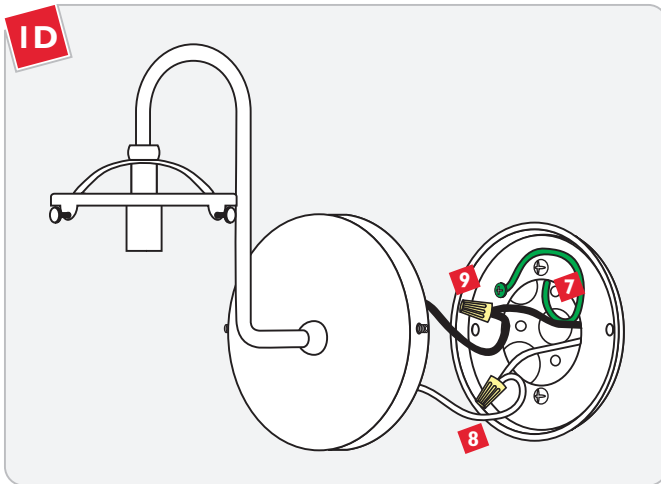
- 1** While supporting the glass shade, loosen (**Do Not Remove**) the three thumb screws on glass bracket.
- 2** Carefully remove the glass shade.



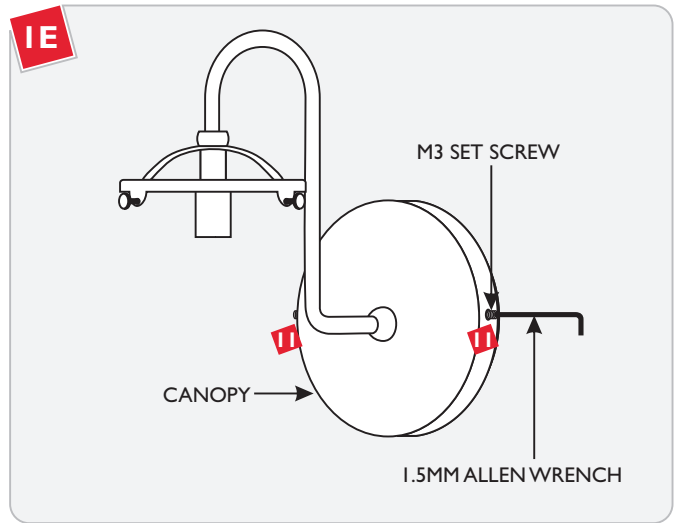
- 3** Loosen (**Do Not Remove**) the two M3 set screws on side of the canopy with the 1.5MM Allen wrench provided.
- 4** Remove the backplate.



- 5** Line up two backplate holes with the electrical box holes.
- 6** Mount the backplate to the electrical box with the two #8-32 screws provided.

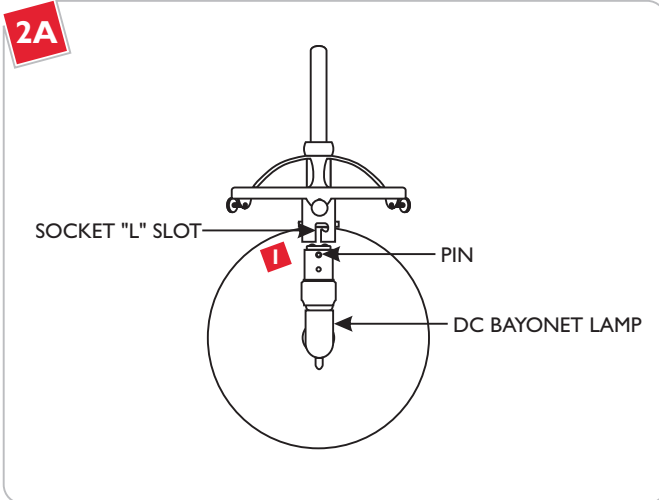


- 7** In accordance with local electrical codes, make sure that the backplate is grounded.
- 8** Connect the fixture white wire to the neutral power line wire with a wire nut.
- 9** Connect the fixture black wire to the hot power line wire with a wire nut.




- 10** Place all wires and wire nut connections properly inside the electrical box.
- 11** Place the fixture canopy onto the backplate. Level the fixture vertically and tighten the two M3 set screws with the 1.5MM Allen wrench to secure the fixture in place.

Install the Lamp



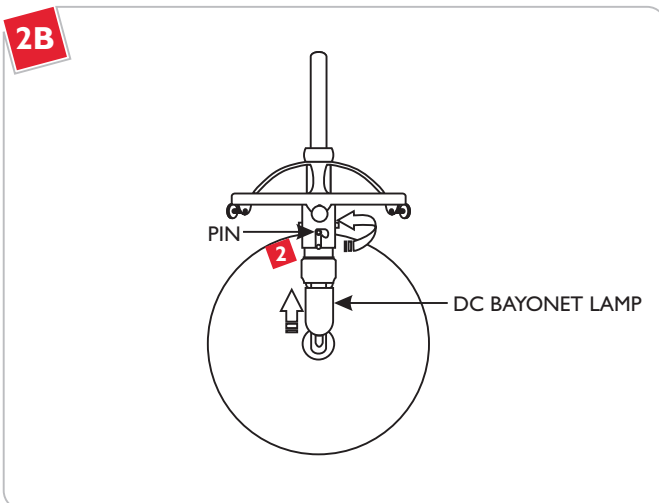
NOTE: Use only your fingers and a soft cloth to install the lamp.

Use **MAX** 120 Volt, **50** Watt Type DC Bayonet, BA15d Base, Xenon (Xelogen) Lamp. 

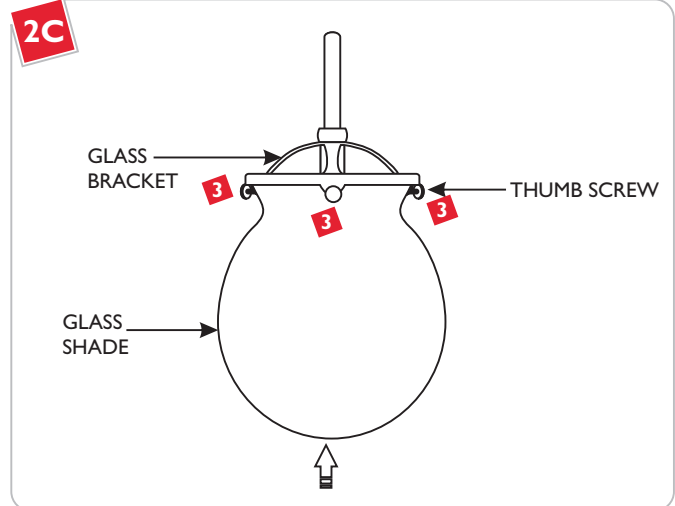
- 1 Align the pins on the DC Bayonet lamp with the socket "L" slots.

WARNING: RISK OF FIRE

Never replace a Xenon (Xelogen) lamp with a regular Halogen lamp. A regular Halogen lamp requires a protective glass shield.



- 2 Push the lamp completely into the socket and rotate it clockwise to lock it in place.



- 3 Place the glass shade completely into the glass bracket and tighten the three thumb screws to secure the glass shade in place.

NOTE: Do not over tighten the thumb screw which may cause the glass shade to break.

SAVE THESE INSTRUCTIONS!



7400 Linder Ave, Skokie, IL 60077

800.323.3226 - 847.626.6300

www.lblighting.com

© 2008 LBL Lighting. All rights reserved. The "LBL Lighting" graphic is a registered trademark of LBL Lighting. LBL Lighting reserves the right to change specifications for product improvements without notification.

A Generation Brands Company