

Athena Wall

HW5498_2H75 | 1.5



GENERAL PRODUCT INFORMATION:



This product can mount to either a 4" square electrical box with round plaster ring or an octagon electrical box.

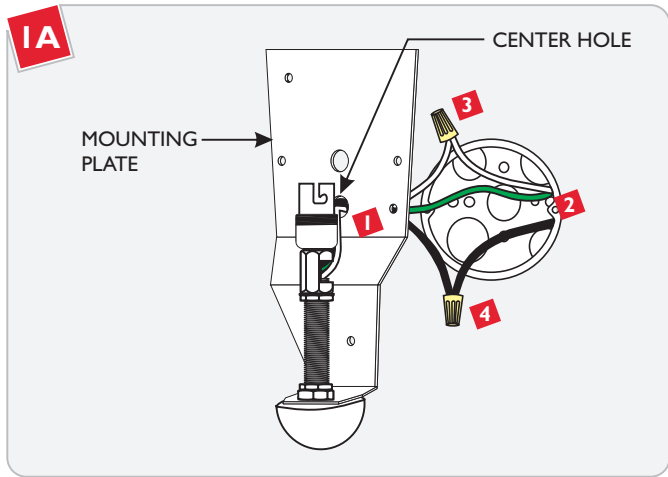
This product is suitable for indoor dry locations only.

This product can be dimmed with a standard incandescent dimmer.

CAUTION - RISK OF FIRE
 This product requires installation by a qualified electrician. Before installing be sure to read all instructions and **TURN THE POWER TO THE ELECTRICAL BOX OFF.**

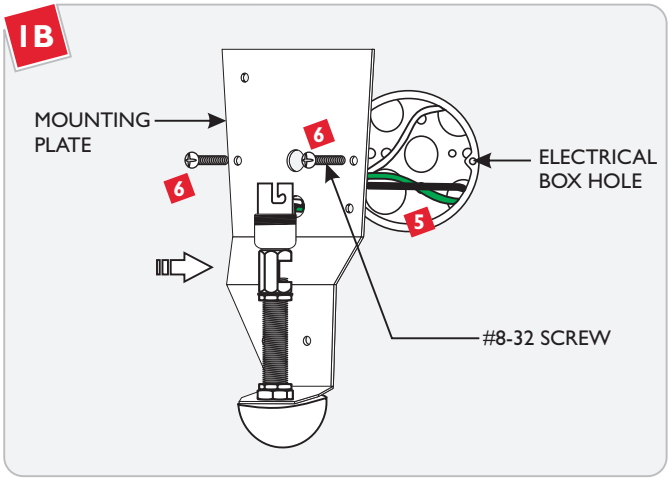


Install the Fixture

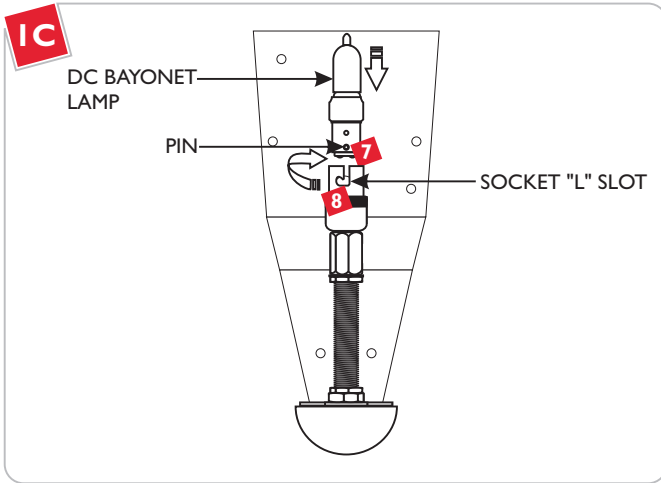


NOTE: Use the provided crossbar assembly if the mounting plate holes do not match with the electrical box holes.

- 1 Feed the fixture wires through the mounting plate center hole.
- 2 In accordance with local electrical codes, make sure that the mounting plate is grounded.
- 3 Connect the fixture white wire to the neutral power line wire with a wire nut.
- 4 Connect the fixture black wire to the hot power line wire with a wire nut.



- 5 Place all wires and wire nut connections properly inside the electrical box.
- 6 Install the mounting plate to the electrical box with the provided two #8-32 screws.

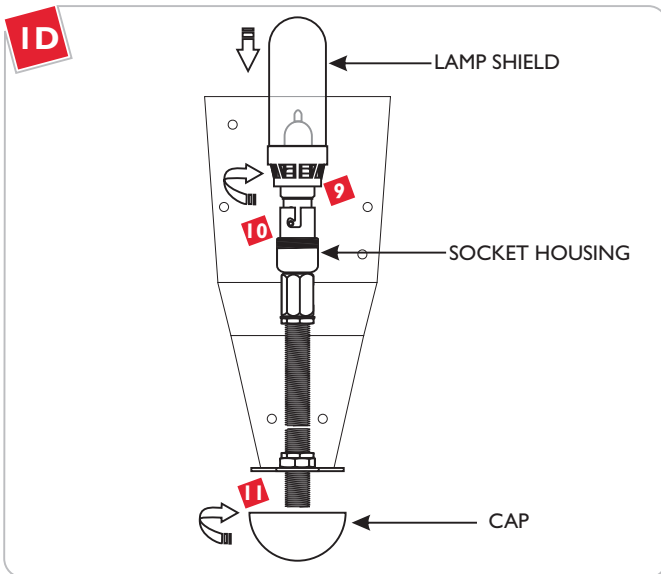


NOTE: Use only your fingers and a soft cloth to install the lamp.

Use **MAX** 120 Volt, **75** Watt Type DC Bayonet, BA15d Base, Halogen Lamp.



- 7** Align the pins on the DC Bayonet lamp with the socket "L" slots.
- 8** Push the lamp completely into the socket and rotate it clockwise to lock it in place.

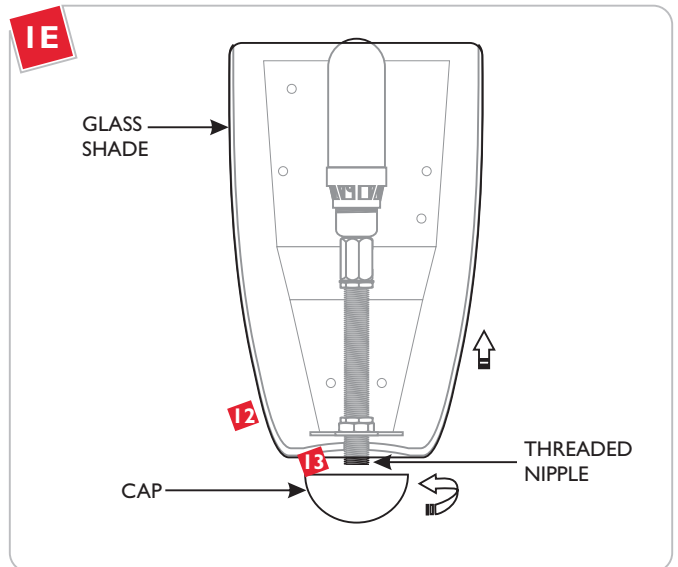


- 9** Place the lamp shield onto the socket housing.
- 10** Screw (**Do Not Tighten**) the lamp shield onto the socket housing just enough (a couple of threads) to secure it in place.

CAUTION: Do Not Tighten The Lamp Shield.

Tightening the lamp shield to the socket housing will break the lamp.

- 11** Unscrew and remove the cap from bottom of the mounting plate.



- 12** From bottom of the mounting plate slide the glass shade up onto the threaded nipple.
- 13** Replace and tighten the cap completely to the exposed threaded nipple to secure the glass shade in place.

IMPORTANT SAFETY INSTRUCTIONS

To reduce the risk of fire, electrical shock, exposure to excessive UV radiation, or injury to person:

- Use this fixture indoors only.
- Do not look directly at the lighted lamp.
- Do not remain in light if skin feels warm.
- Risk of fire: Use only the type of lamp and maximum wattage indicated in this instruction manual.
- Never cover the halogen lamp with anything other than a LBL Lighting lamp shield and never place flammable material close to your fixture.
- Never turn the fixture on and off by connecting and disconnecting the halogen lamp.
- Do not touch the fixture shades or lamp shield while the fixture is on. These surfaces may be HOT.

Halogen Lamp General Information

– A new halogen lamp may smoke slightly when it is used for the first time. This is perfectly normal; the protective coating is simply being vaporized.

Two Tips For Prolonging Halogen Lamp Life

- First avoid touching the lamp with bare hands during installation. Any contaminant, even the oil from your hands can deteriorate the lamp. Rubbing alcohol can be used to remove any contaminant.
- Second, do not run the lamps at full power when you do not need to. However, if dimming the fixture for an extended period of time, occasionally bring the light up to full brightness for a few minutes to complete the halogen cycle.

SAVE THESE INSTRUCTIONS!



7400 Linder Ave, Skokie, IL 60077

800.323.3226 - 847.626.6300

www.lblighting.com

© 2008 LBL Lighting. All rights reserved. The "LBL Lighting" graphic is a registered trademark of LBL Lighting. LBL Lighting reserves the right to change specifications for product improvements without notification.

A Generation Brands Company