



Wall Sconces

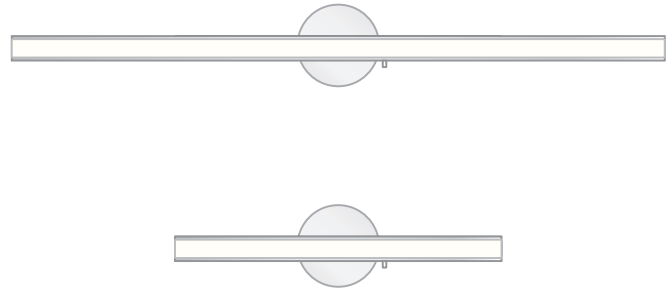
GENERAL PRODUCT INFORMATION:



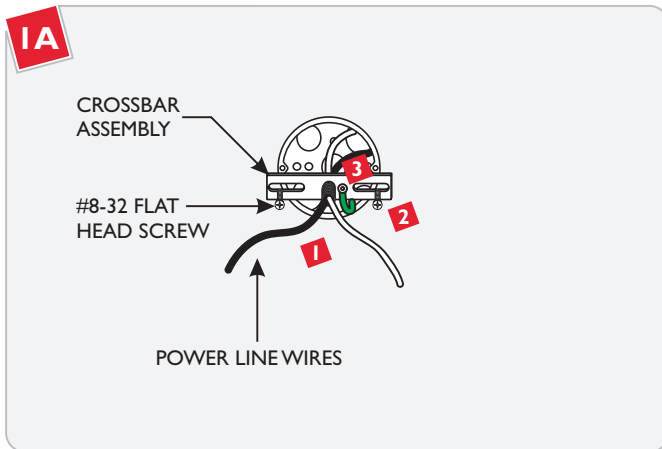
This product can mount to either a 4" square electrical box with round plaster ring or an octagon electrical box.

This product is suitable for indoor dry locations only.

This instruction shows a typical installation.



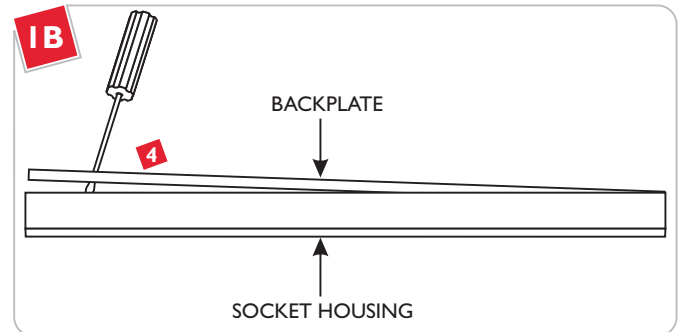
Install the Fixture



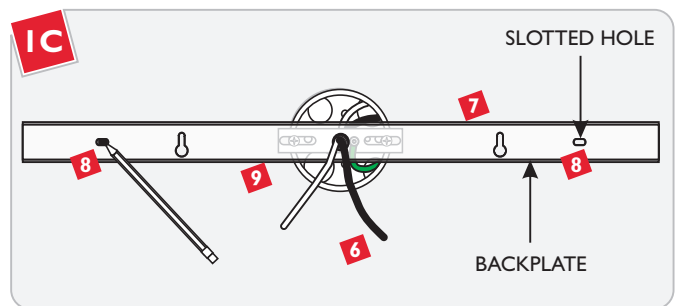
CAUTION - RISK OF FIRE
 This product requires installation by a qualified electrician. Before installing be sure to read all instructions and **TURN THE POWER TO THE ELECTRICAL BOX OFF.**

NOTE: Do not disassemble the crossbar assembly.

- 1 Feed the power line wires through the nipple attached to the crossbar assembly.
- 2 Mount the crossbar assembly to the electrical box with the two #8-32 flat head screws.
- 3 Make sure that the crossbar assembly is grounded in accordance with local electrical codes.



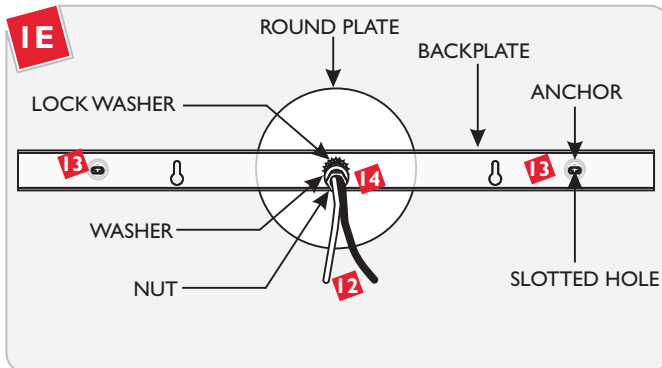
- 4 Remove the backplate from the socket housing.



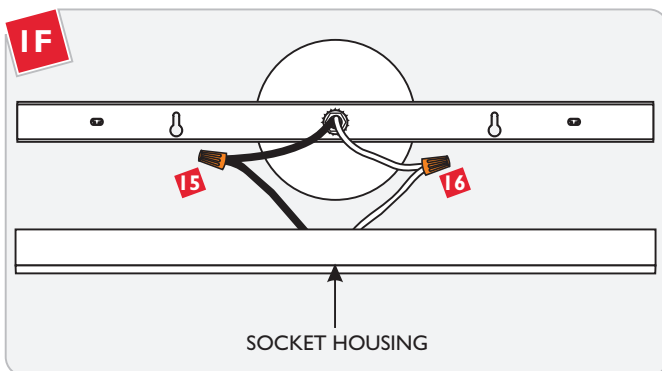
- 6 Feed the power line wires through the backplate center hole. Slide the backplate center hole onto the nipple attached to the crossbar.
- 7 Hold the backplate against the wall.
- 8 Level the backplate horizontally and mark the two slotted holes on to the wall.
- 9 Remove the backplate.



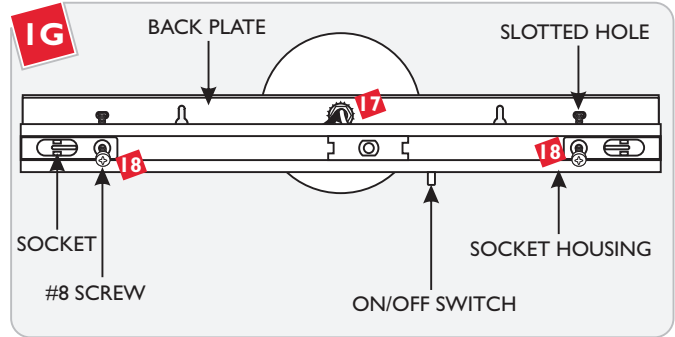
- 10** With a hammer tap the anchors at the marked points into the wall up to the threaded portion.
- 11** Screw the anchors in the rest of the way with a Phillips screwdriver.



- 12** Feed the power line wires through the round plate center hole, backplate center hole, lock washer, washer, and nipple.
- 13** Slide the round plate and backplate onto the nipple attached to the crossbar. Level the backplate horizontally and line up the slotted holes with the anchors.
- 14** Tighten the nut to secure the round plate and backplate in place.

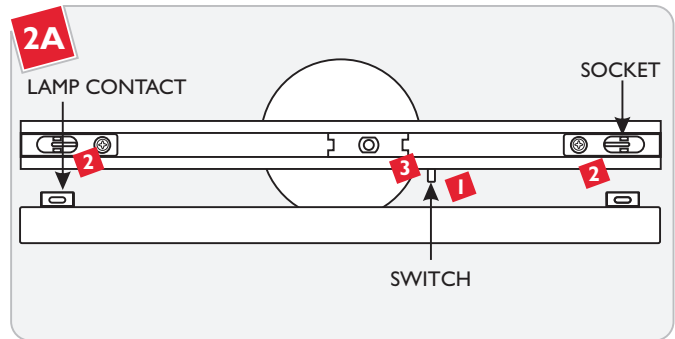



- 15** Connect the black fixture wire to the hot power line wire with a wire nut.
- 16** Connect the white fixture wire to the neutral power line wire with a wire nut.




- 17** Place all wires and wire nut connections into the socket housing.
- 18** Push the two #8 screws through the screw hole next to the each socket. Tighten the screws to the anchors through the slotted holes in backplate.

Install the Lamp



Use **MAX** 120 Volt, **60** Watt Type Linestra Incandescent Single Contact Double S14S Base Lamp With Model LN60SI. 

Use **MAX** 120 Volt, **150** Watt Type Linestra Incandescent Single Contact Double S14S Base Lamp With Model LNI20SI. 

- 1** Turn the power to the fixture off by utilizing the fixture switch.
- 2** Push the lamp contacts completely to snap into the sockets.
- 3** Turn the power to the fixture on.

SAVE THESE INSTRUCTIONS!

 **LBL Lighting**

7400 Linder Ave, Skokie, IL 60077

800.323.3226 - 847.626.6300

www.lblighting.com

© 2008 LBL Lighting. All rights reserved. The "LBL Lighting" graphic is a registered trademark of LBL Lighting. LBL Lighting reserves the right to change specifications for product improvements without notification.

A Generation Brands Company