

Small Oval Bulk Head

510_C_ 1.0



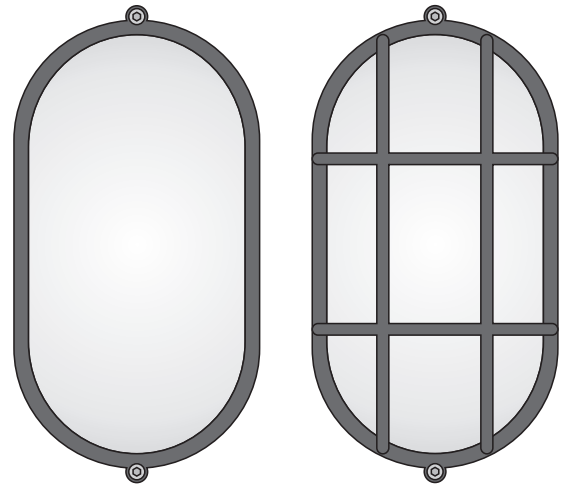
GENERAL PRODUCT INFORMATION:

This product is suitable for wet locations.



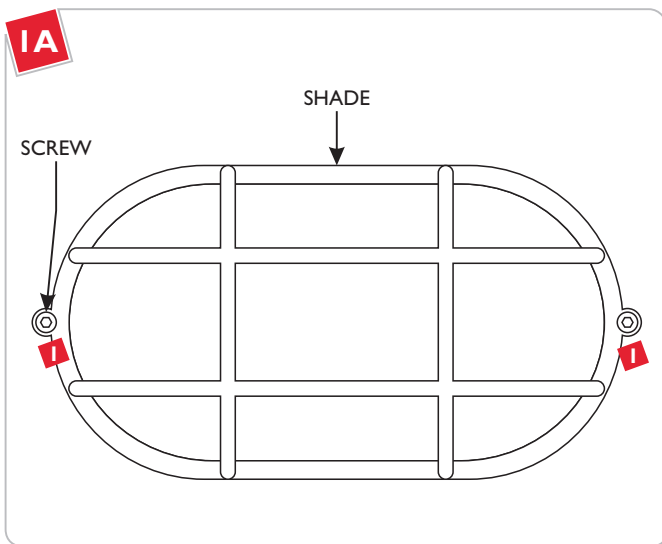
This product can be dimmed with a standard incandescent dimmer.

This instruction shows a typical installation. The fixture can be mounted horizontally or vertically.

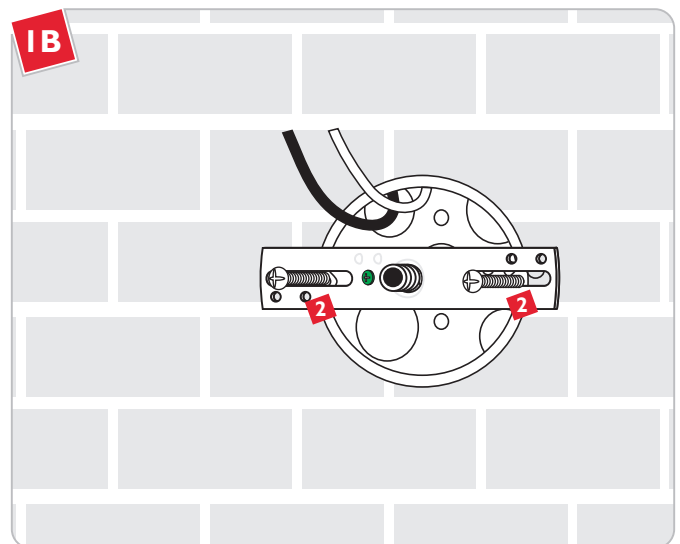


CAUTION - RISK OF FIRE
 This product requires installation by a qualified electrician. Before installing be sure to read all instructions and **DISCONNECT POWER TO THE ELECTRICAL BOX.**

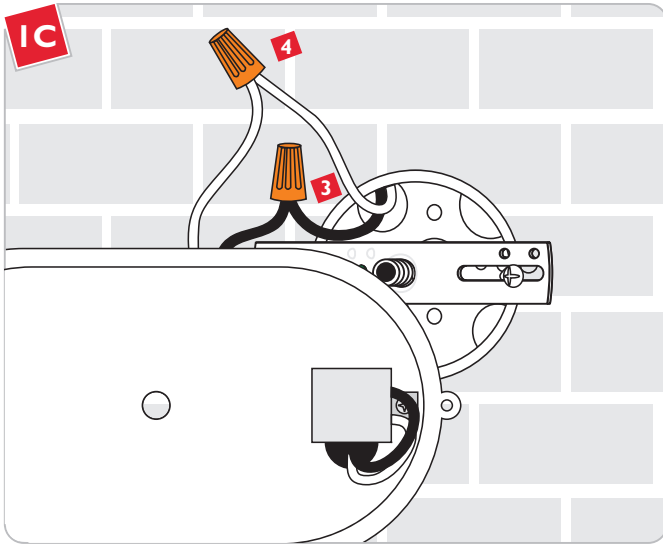
Install the Fixture



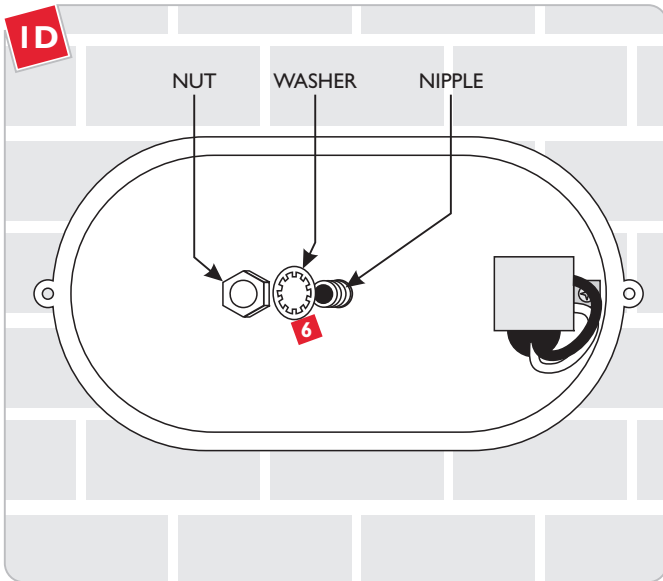
1 Remove the screws from the front of the fixture and remove the shade.



2 Attach the crossbar with nipple to the electrical box using two #8-32 screws provided.



- 3** Connect the hot power line wire to the black fixture wire with a wire nut.
- 4** Connect the neutral power line wire to the white fixture wire with a wire nut.
- 5** Connect the bare copper wire to a suitable ground according to local electrical codes.



- 6** Make sure the fixture is level, and secure the fixture to the nipple with a lock washer and nut.

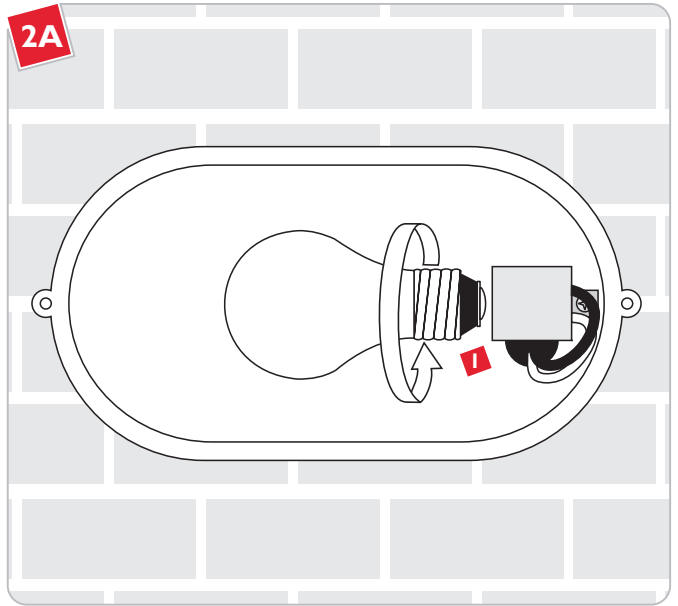
LBL Lighting

7400 Linder Ave, Skokie, IL 60077
800.323.3226 - 847.626.6300

www.lblighting.com

© 2008 LBL Lighting. All rights reserved. The "LBL Lighting" graphic is a registered trademark of LBL Lighting. LBL Lighting reserves the right to change specifications for product improvements without notification.
A Generation Brands Company

Install the Lamp and Shade

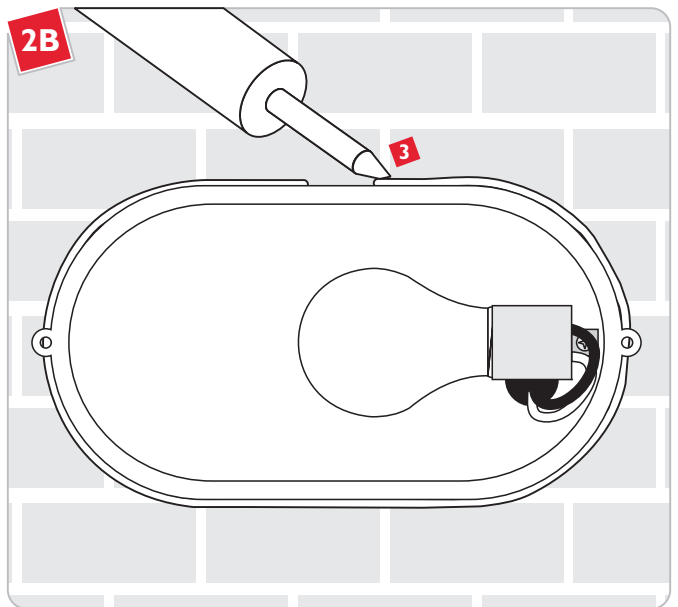


CAUTION: To reduce the risk of a burn or electric shock during relamping, disconnect the power to the fixture.

Use **MAX 60 Watt** Type A19
Medium Base Lamp.



- 1** Screw the lamp completely into the socket.
- 2** Before continuing, turn on power to the fixture to verify all connections are good.



- 3** If installing in a wet location, caulk around the base with waterproof construction sealant.
- 4** Reattach the shade to the base.

SAVE THESE INSTRUCTIONS!