

**B** **LBL Lighting**  
Outdoor

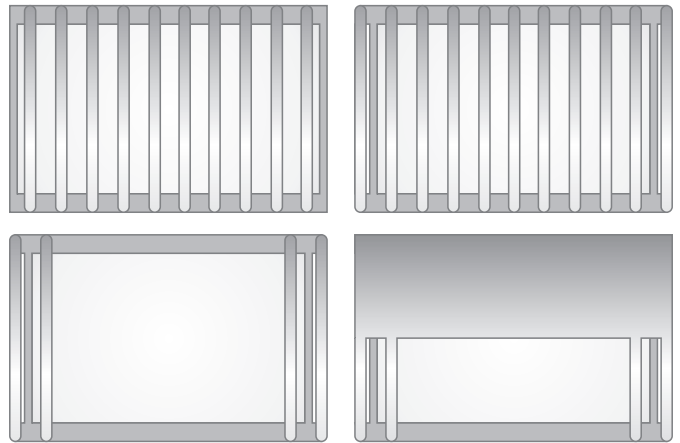
**GENERAL PRODUCT INFORMATION:**

This product is suitable for wet locations.



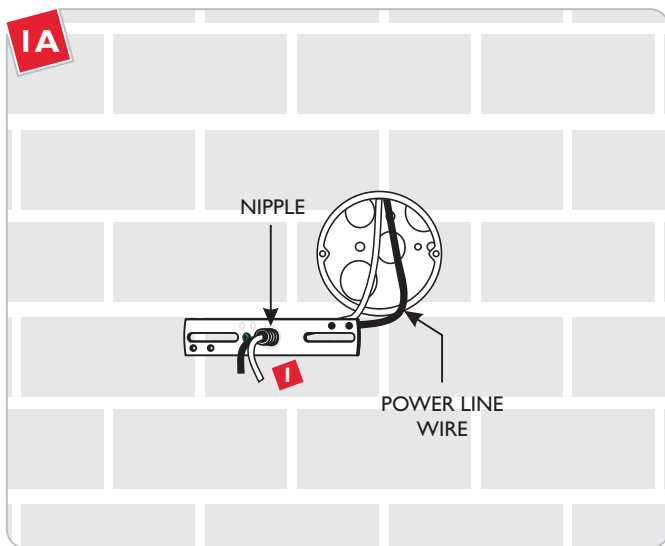
This product can be dimmed with a standard incandescent dimmer.

This instruction shows a typical installation.

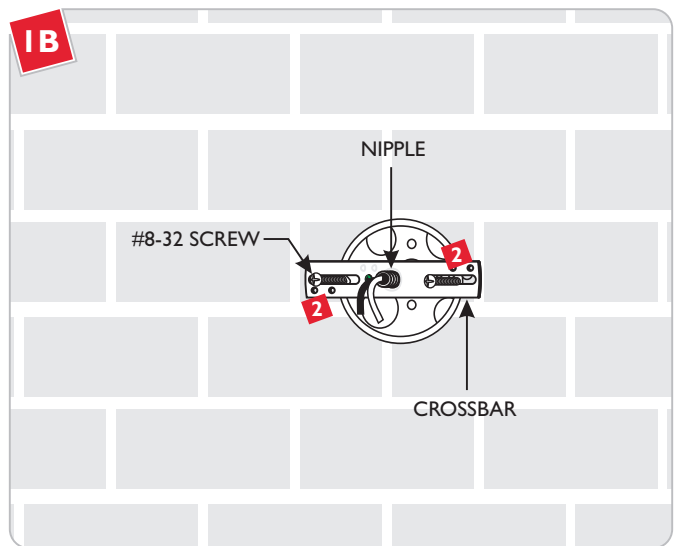


**CAUTION - RISK OF FIRE**  
This product requires installation by a qualified electrician. Before installing be sure to read all instructions and **DISCONNECT POWER TO THE ELECTRICAL BOX.**

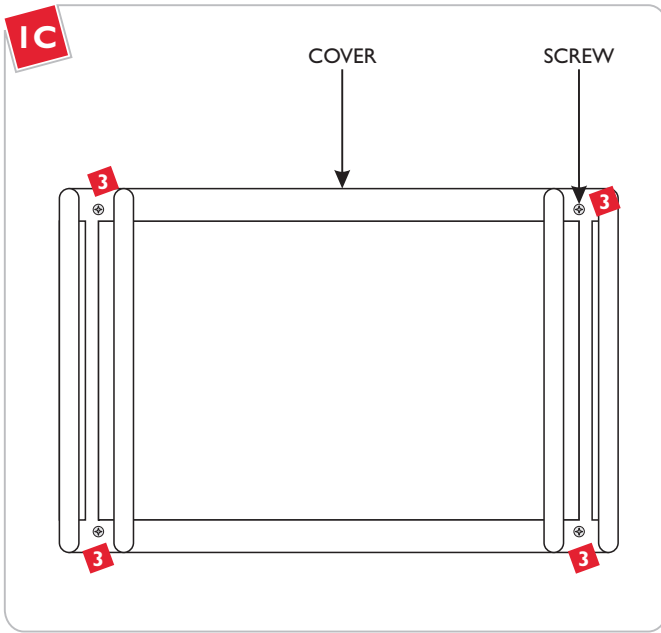
**Install the Fixture**



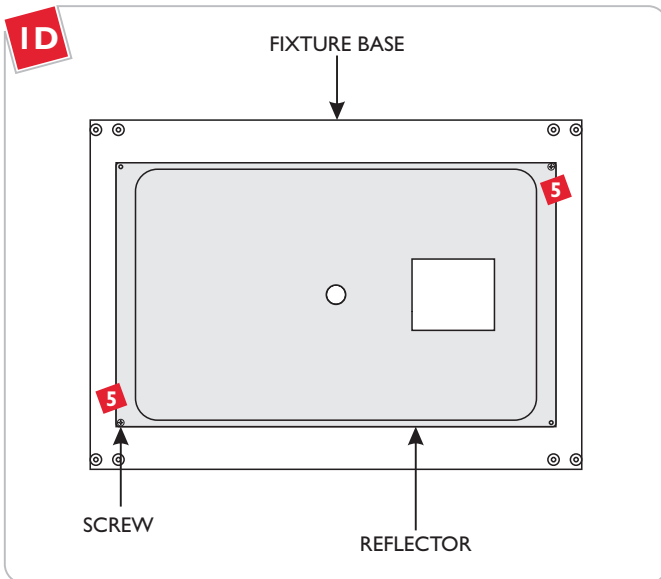
**1** Feed the power line wires through the crossbar nipple.



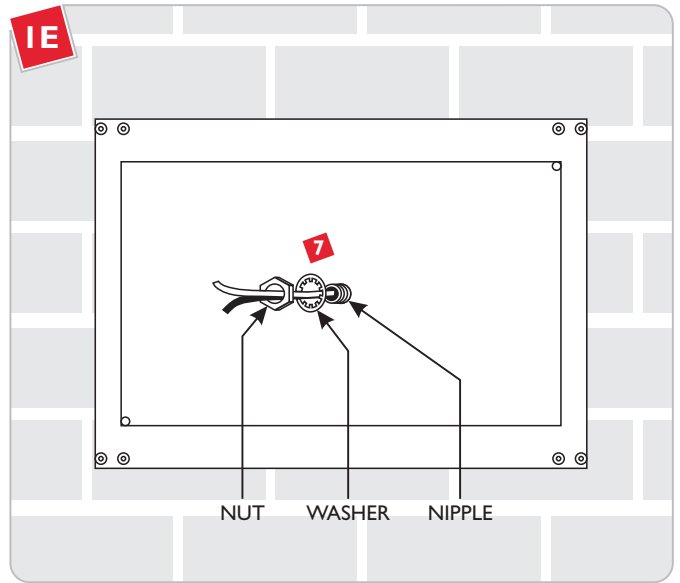
**2** Attach the crossbar to the electrical box using two #8-32 screws provided.



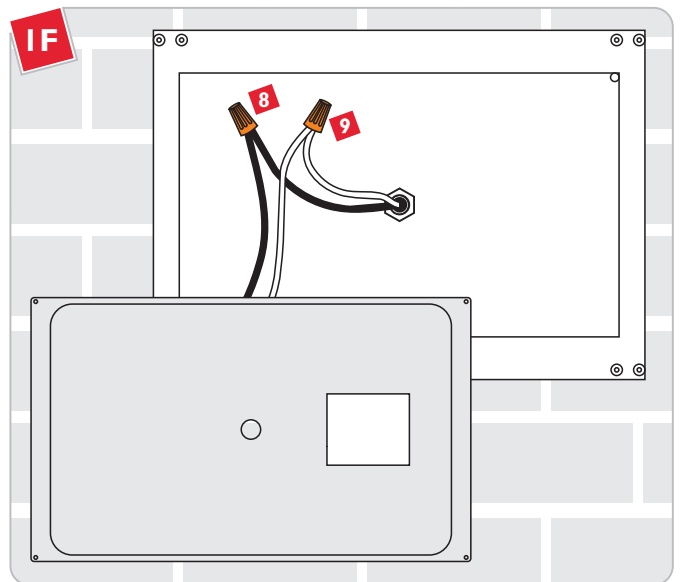
- 3** Remove all the screws from the front of the fixture.
- 4** Lift the cover off of the fixture.



- 5** Remove the screws on the reflector.
- 6** Lift the reflector out of the fixture base.

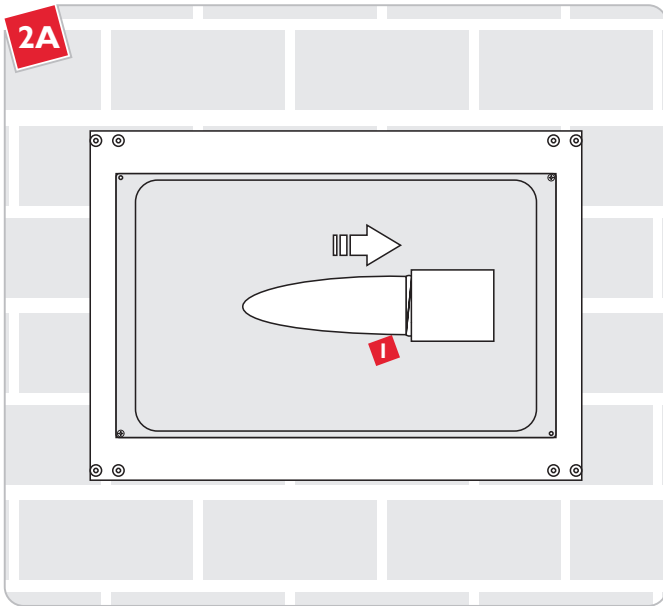


- 7** Make sure the fixture base is level, and secure it to the nipple with a lock washer and nut.



- 8** Connect the hot power line wire to the black socket wire with a wire nut.
- 9** Connect the neutral power line wire to the white socket wire with a wire nut.
- 10** Connect the fixture to a suitable ground according to local electrical codes.
- 11** Reattach the reflector to the fixture base.

## Install the Lamp and Cover

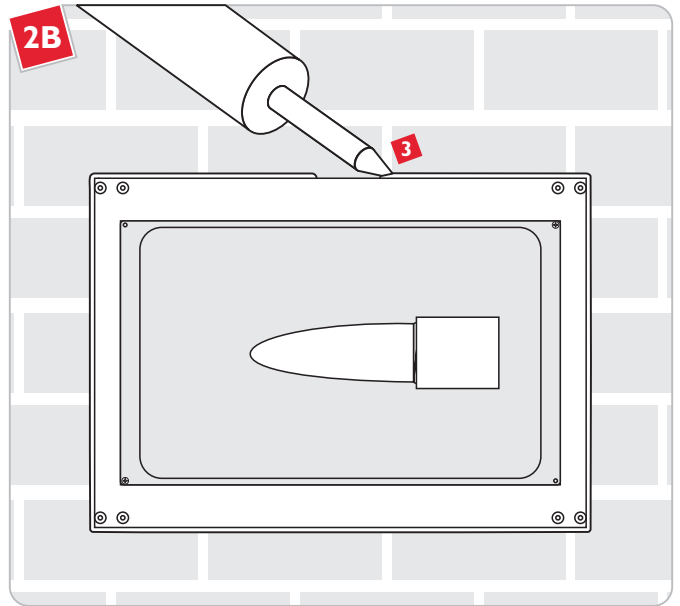


**CAUTION:** To reduce the risk of a burn or electric shock during relamping, disconnect the power to the fixture.

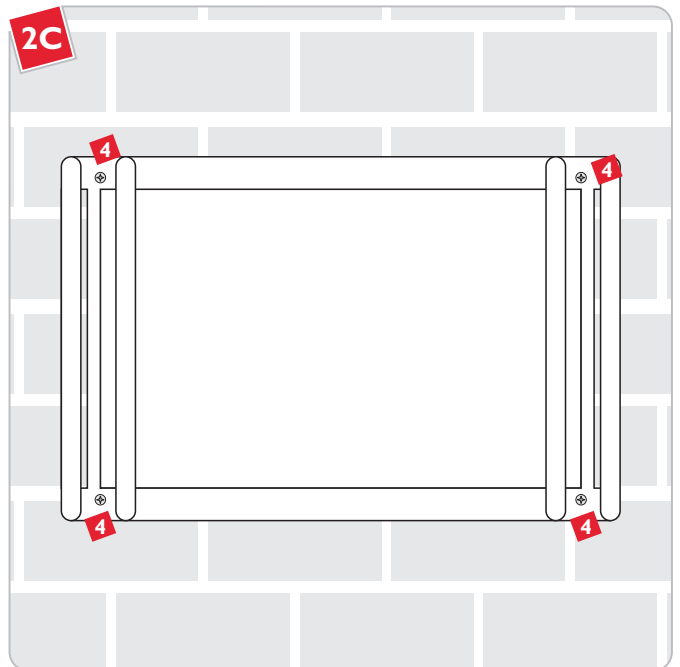
Use **MAX 60 Watt**  
type B10 torpedo medium base lamp.



- 1 Screw the lamp base into the socket.
- 2 Before continuing, turn on power to the fixture to verify all connections are good.



- 3 If installing in a wet location, caulk around the base with waterproof construction sealant.



- 4 Replace the cover and reattach the screws to secure the cover to the fixture.

**SAVE THESE INSTRUCTIONS!**



7400 Linder Ave, Skokie, IL 60077

800.323.3226 - 847.626.6300

[www.lblighting.com](http://www.lblighting.com)

© 2008 LBL Lighting. All rights reserved. The "LBL Lighting" graphic is a registered trademark of LBL Lighting. LBL Lighting reserves the right to change specifications for product improvements without notification.

A Generation Brands Company