

# Linear Wall

HW5497\_2G60

1.5



## Wall Sconces

### GENERAL PRODUCT INFORMATION:



This product can mount to either a 4" square electrical box with round plaster ring or an octagon electrical box.

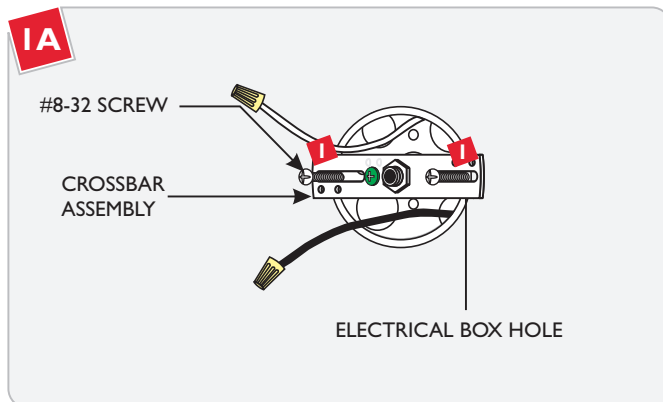
This product is suitable for damp locations.

This product can be dimmed with a standard incandescent dimmer.

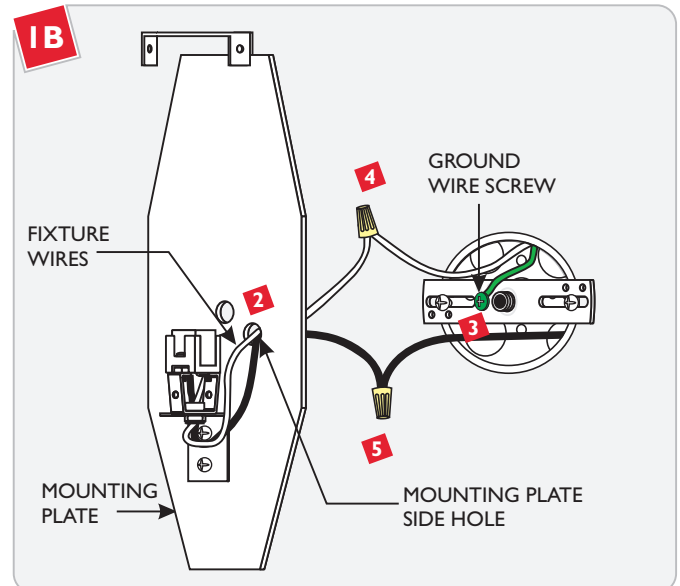
**CAUTION - RISK OF FIRE**  
 This product requires installation by a qualified electrician. Before installing be sure to read all instructions and **DISCONNECT POWER TO THE ELECTRICAL BOX.**



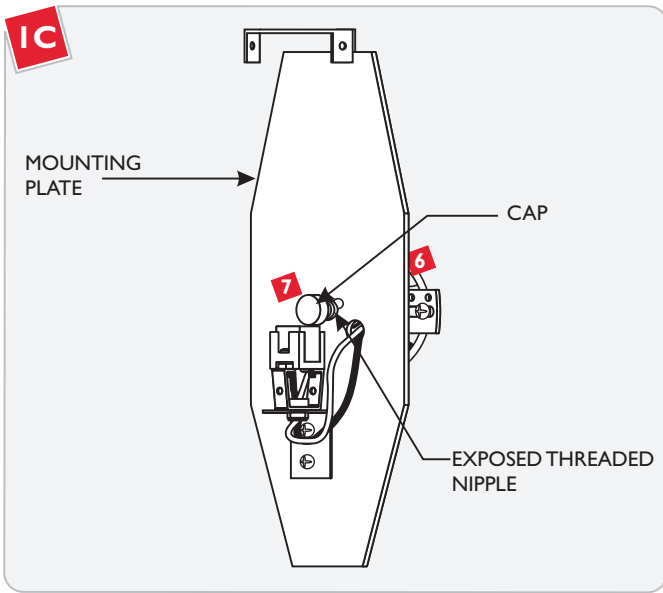
## Install the Fixture



- 1** Mount the crossbar assembly to the electrical box holes with the two #8-32 screws provided.

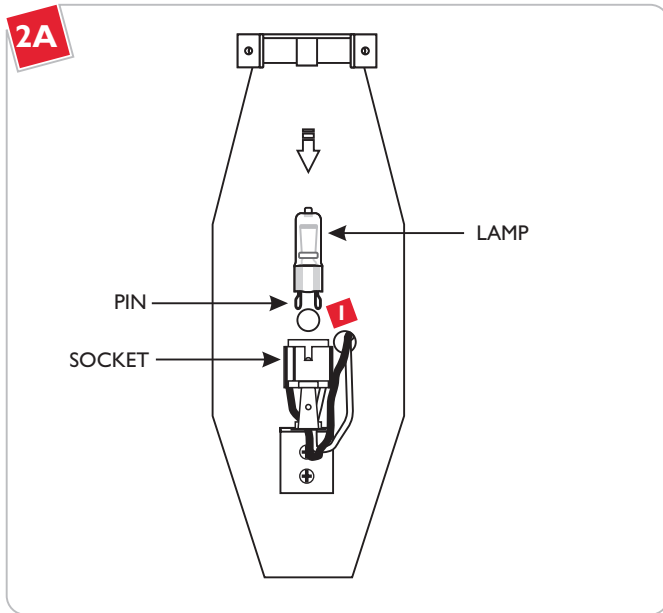


- 2** Feed the fixture wires through the mounting plate side hole.
- 3** Connect the ground wire (bare wire) to the crossbar green screw. Make sure that the crossbar is grounded in accordance with local electrical codes.
- 4** Connect the fixture white wire to the neutral power line wire with a wire nut.
- 5** Connect the fixture black wire to the hot power line wire with a wire nut.



- 6** Place all wires and wire nut connections properly inside the electrical box.
- 7** Slide the mounting plate center hole onto the exposed threaded nipple. Secure the mounting plate in place by tightening the cap to threaded nipple.

## Install the Lamp & Shade

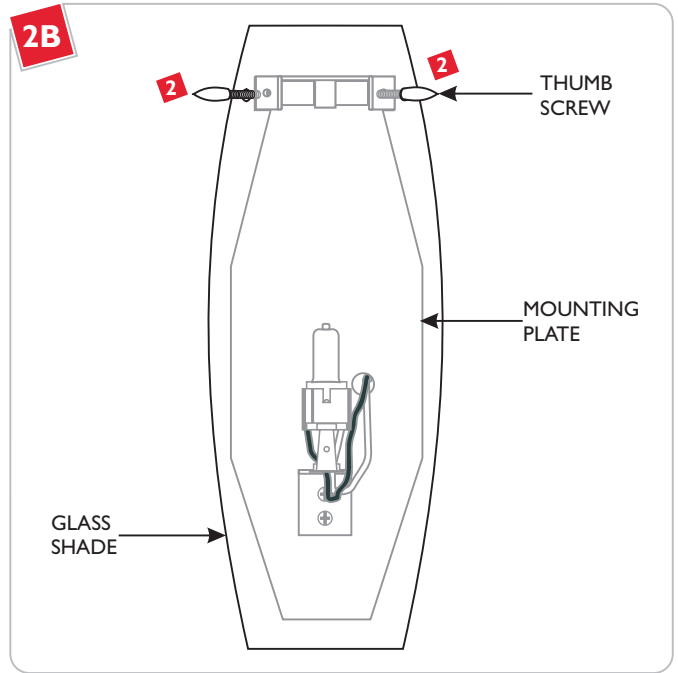


**NOTE:** The G9 lamp has an integral glass envelope and is thus safe to be used without a lamp shield.

Use **MAX** 120 Volt, **60** Watt Type T4, G9 Base, Bi-Pin Halogen Lamp.



- 1** Push the lamp completely into the socket.



- 2** Place the glass shade onto the mounting plate. Align the glass shade holes with the mounting plate holes. Tighten the thumb screws to secure the glass shade in place.

**NOTE:** Do not over tighten the thumb screws which may cause the glass shade to break.

## IMPORTANT SAFETY INSTRUCTIONS

**To reduce the risk of fire, electrical shock, exposure to excessive UV radiation, or injury to person:**

- Use this fixture indoors only.
- Do not look directly at the lighted lamp.
- Do not remain in light if skin feels warm.
- Risk of fire: Use only the type of lamp and maximum wattage indicated in this instruction manual.
- Never cover the halogen lamp and never place flammable material close to your fixture.
- Never turn the fixture on and off by connecting and disconnecting the halogen lamp.
- Do not touch the fixture shade while the fixture is on. This surface may be HOT.

## Halogen Lamp General Information

- A new halogen lamp may smoke slightly when it is used for the first time. This is perfectly normal; the protective coating is simply being vaporized.

### Two Tips For Prolonging Halogen Lamp Life

- First avoid touching the lamp with bare hands during installation. Any contaminant, even the oil from your hands can deteriorate the lamp. Rubbing alcohol can be used to remove any contaminant.
- Second, do not run the lamps at full power when you do not need to. However, if dimming the fixture for an extended period of time, occasionally bring the light up to full brightness for a few minutes to complete the halogen cycle.

**SAVE THESE INSTRUCTIONS!**



7400 Linder Ave, Skokie, IL 60077

800.323.3226 - 847.626.6300

[www.lblighting.com](http://www.lblighting.com)

© 2008 LBL Lighting. All rights reserved. The "LBL Lighting" graphic is a registered trademark of LBL Lighting. LBL Lighting reserves the right to change specifications for product improvements without notification.

A Generation Brands Company