

# Flora Wall

HW435\_2G60

1.0



## Wall Sconces

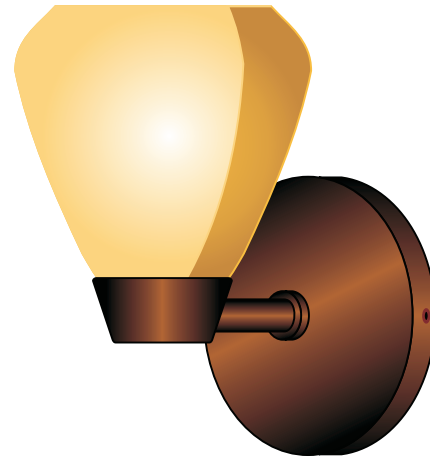
### GENERAL PRODUCT INFORMATION:



This product can mount to either a 4" square electrical box with round plaster ring or an octagon electrical box.

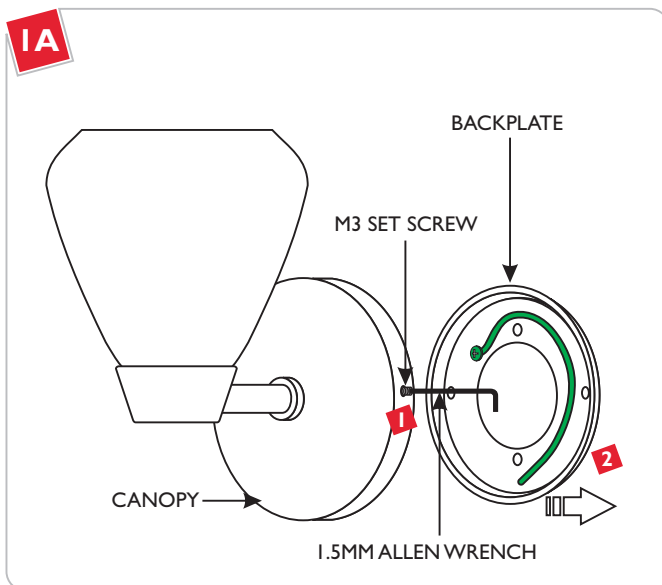
This product is suitable for indoor dry locations only.

This product can be dimmed with a standard incandescent dimmer.

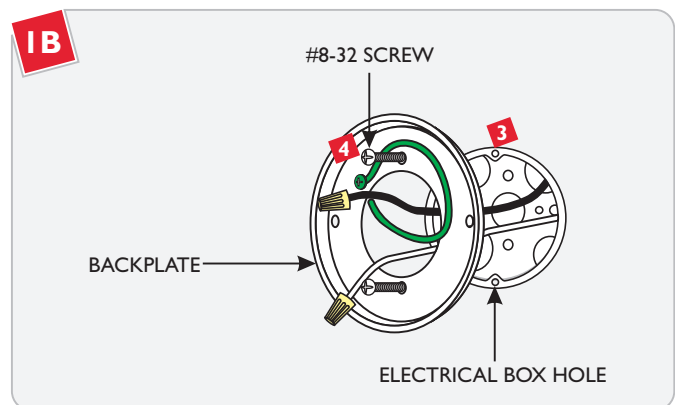


**CAUTION - RISK OF FIRE**  
 This product requires installation by a qualified electrician. Before installing be sure to read all instructions and **TURN THE POWER TO THE ELECTRICAL BOX OFF.**

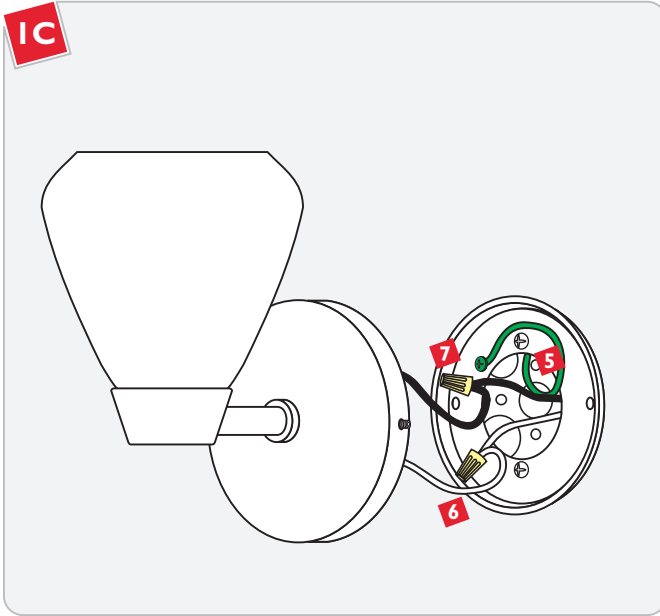
## Install the Fixture



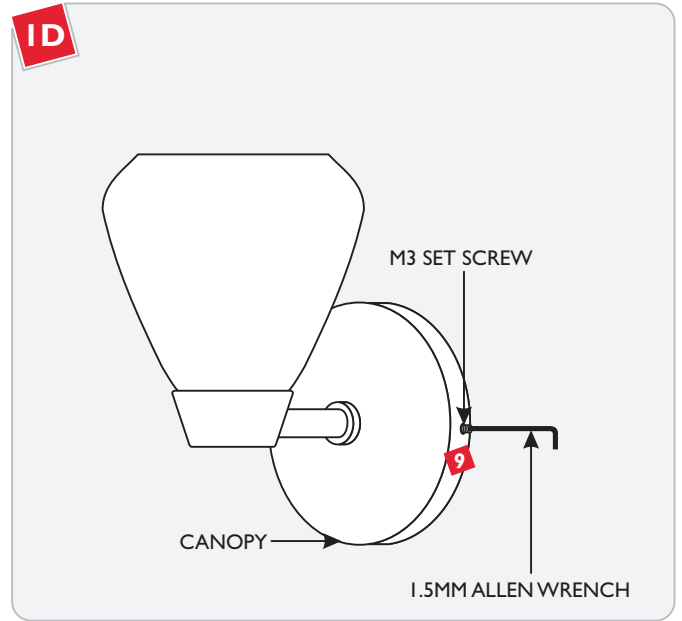
- 1** Loosen (**Do Not Remove**) the two M3 set screws on side of the canopy with the 1.5MM Allen wrench provided.
- 2** Remove the backplate.



- 3** Line up two backplate holes with the electrical box holes.
- 4** Mount the backplate to the electrical box with the two #8-32 screws provided.

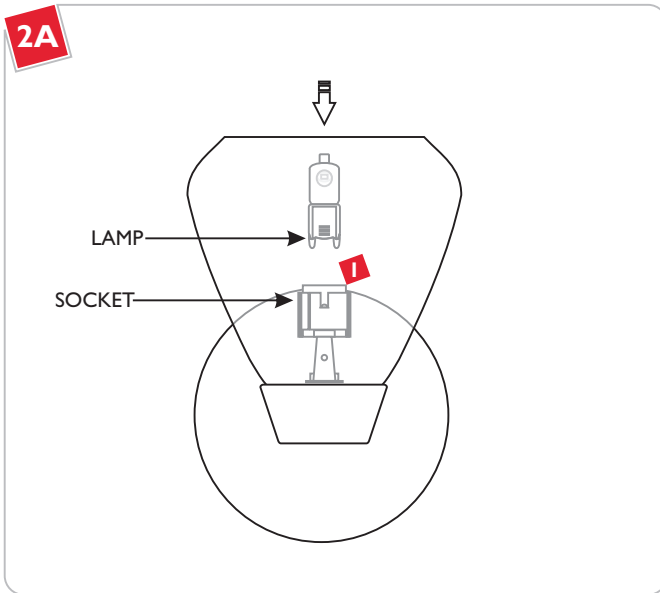


- 5** In accordance with local electrical codes, make sure that the backplate is grounded.
- 6** Connect the fixture white wire to the neutral power line wire with a wire nut.
- 7** Connect the fixture black wire to the hot power line wire with a wire nut.



- 8** Place all wires and wire nut connections properly inside the electrical box.
- 9** Place the fixture canopy onto the backplate. Level the fixture vertically and tighten the two M3 set screws with the 1.5MM Allen wrench to secure the fixture in place.

## Install the Lamp



**NOTE:** The G9 lamp has an integral glass envelope and is thus safe to be used without a lamp shield.

Use **MAX** 120 Volt, **60** Watt Type T4, G9 Base, Bi-Pin Halogen Lamp.



**1** Push the lamp completely into the socket.

**SAVE THESE INSTRUCTIONS!**



7400 Linder Ave, Skokie, IL 60077

800.323.3226 - 847.626.6300

[www.lblighting.com](http://www.lblighting.com)

© 2008 LBL Lighting. All rights reserved. The "LBL Lighting" graphic is a registered trademark of LBL Lighting. LBL Lighting reserves the right to change specifications for product improvements without notification.

A Generation Brands Company