

Wall Monorail Standoff

HANGERDIRW_ **1.0**



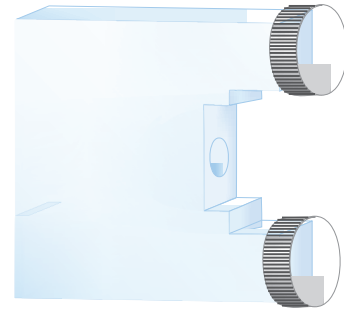
GENERAL PRODUCT INFORMATION:



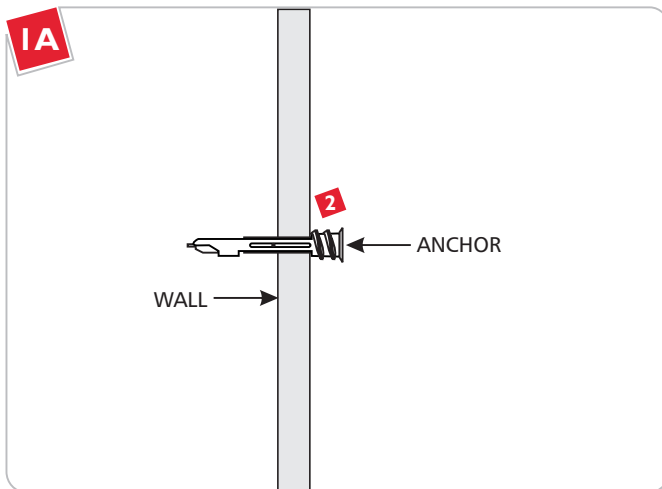
This product is suitable for indoor dry locations only.

This product must be used with LBL Lighting Wall MonoRail system only.

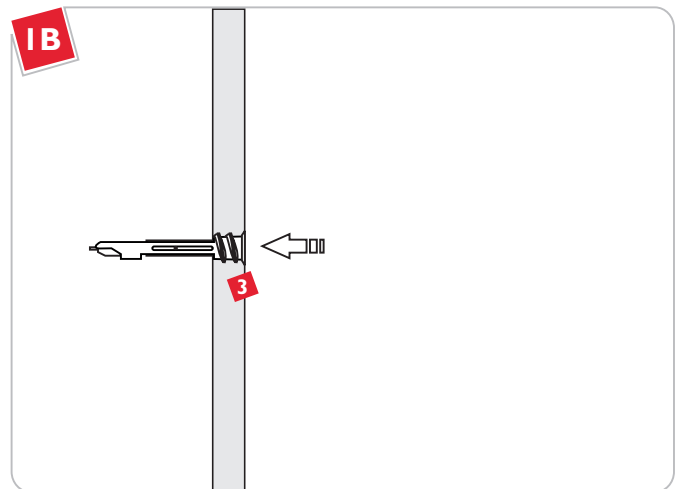
Use standoffs every three feet of Wall MonoRail run, at the corners and where the two rails join together.



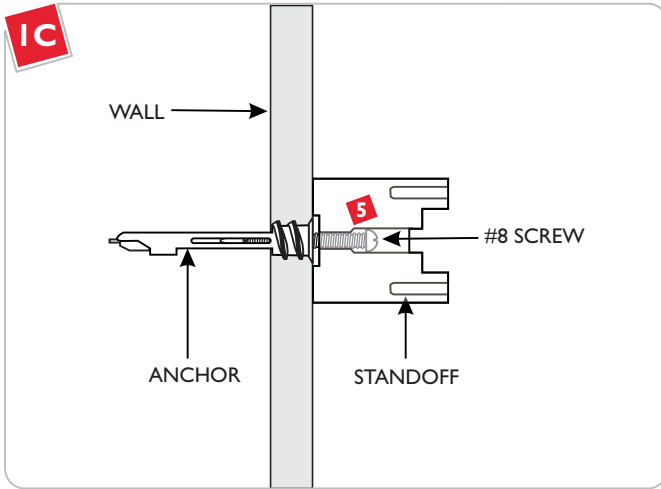
Install the Standoff



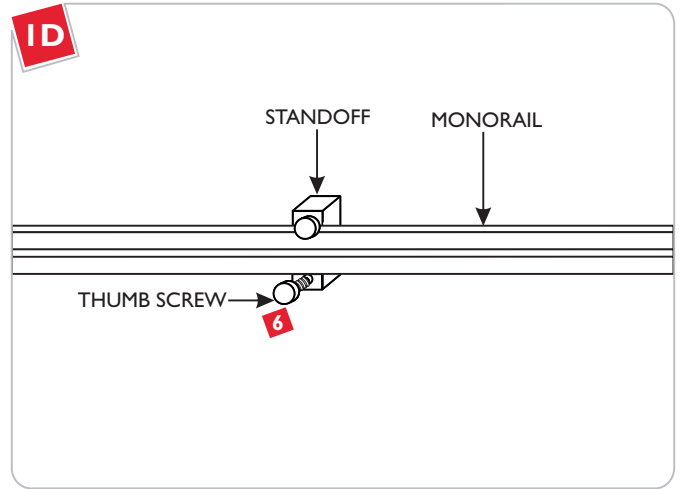
- 1** Mark the standoff location points onto the wall.
- 2** Tap the anchor at the marked point into the wall up to the threaded portion with a hammer.



- 3** Screw the anchor in the rest of the way with a Phillips screwdriver.



5 Screw the standoff onto the anchor with the #8 screw.



6 Place the MonoRail into the standoff slot. Use the thumb screws to secure the MonoRail to the standoffs.

SAVE THESE INSTRUCTIONS!



7400 Linder Ave, Skokie, IL 60077
800.323.3226 - 847.626.6300

www.lblighting.com

© 2008 LBL Lighting. All rights reserved. The "LBL Lighting" graphic is a registered trademark of LBL Lighting. LBL Lighting reserves the right to change specifications for product improvements without notification.

A Generation Brands Company