

Modo Accessory

HAC476_, HAC478_ | 1.0



Accessories

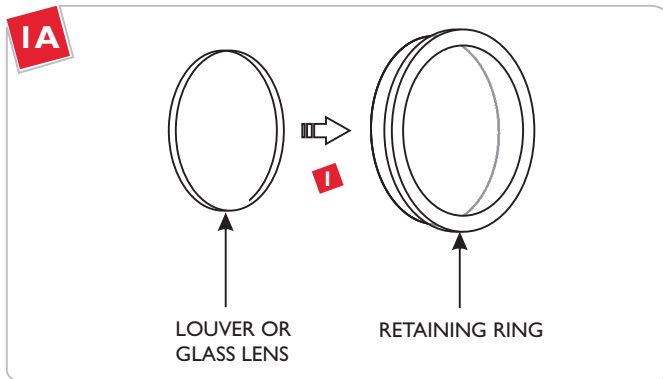
GENERAL PRODUCT INFORMATION:



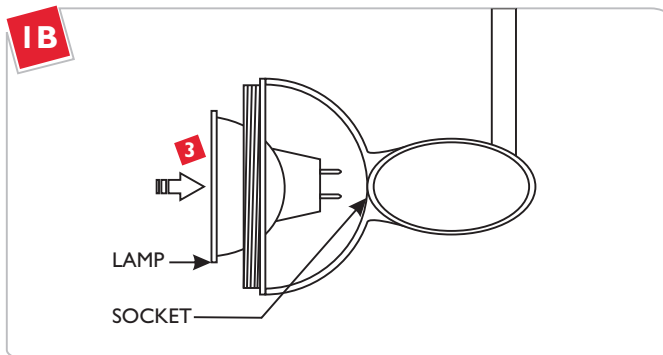
This product must be used with LBL Lighting systems only.



Install the Modo Accessory



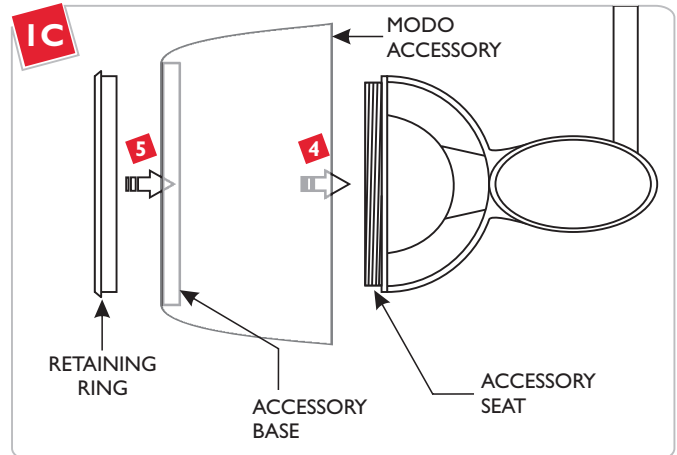
- 1 Unscrew the retaining ring from the Modo Head.
- 2 Place the optional louver or glass lens into the retaining ring.



Use MAX 50 Watt MR16 Front Cover Halogen Lamp.



- 3 Push the lamp pins completely into the socket holes.



- 4 Slide the accessory base onto the accessory seat.
- 5 Screw the retaining ring into the Modo Head to secure the accessory.

SAVE THESE INSTRUCTIONS!



7400 Linder Ave, Skokie, IL 60077

800.323.3226 - 847.626.6300

www.lblighting.com

© 2008 LBL Lighting. All rights reserved. The "LBL Lighting" graphic is a registered trademark of LBL Lighting. LBL Lighting reserves the right to change specifications for product improvements without notification.

A Generation Brands Company