

## Emma 42

Model Ref. 27085

Material: Porcelain

Color: White

Overall Dimensions: 16.5" L x 12.6" W x 5.8" H

Interior Dimensions: 15.5" L x 8.5" W x 4" H

Foot print: 14.7" L x 11.2" W

Drain hole: 1.75" interior Diameter

Installation: Wall-mount and/or counter-top

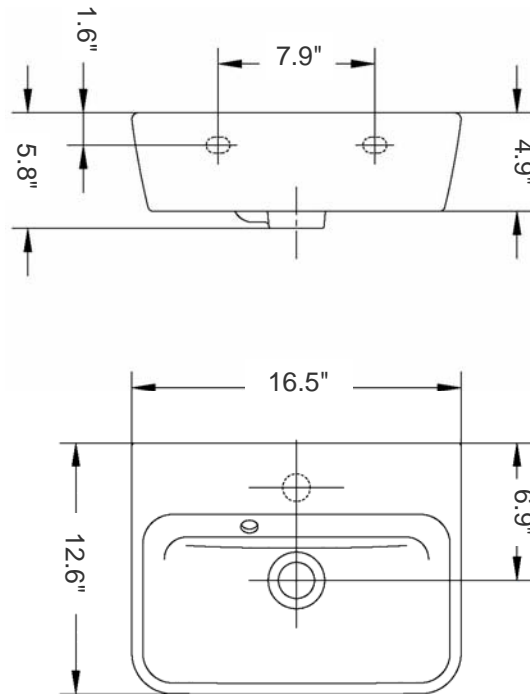
Features: Overflow, and one pre-drilled faucet hole

Components included: wall mounting fixing bolts

Recommended accessory (not included): 2.5" Diameter drain i.e. Click-clack Drain Ref. 360551

Options available (sold separately):

Matching wall-mount two-drawer Vanity cabinet unit, or Freestanding Vanity cabinet unit with door



All dimensions are nominal

BISSONNET

Tel. (610) 454-1295 · Fax (610) 454-9385 · info@bissonnet.net · www.bissonnet.net

# Emma

Wall-mount and/or freestanding two-drawer Vanity unit with wooden top

Model Ref. 3817276

Material: Hardwood

Color/Finish: Anthracite (*grayish brown*)

Dimensions: 19.7" L x 13.8" W x 18.1" H

Optional (sold separately):

Chrome plated Vanity Legs

Model Ref. 3819900

Material: ABS

Dimensions: 1.6" L x 1.6" W x 10.6" H

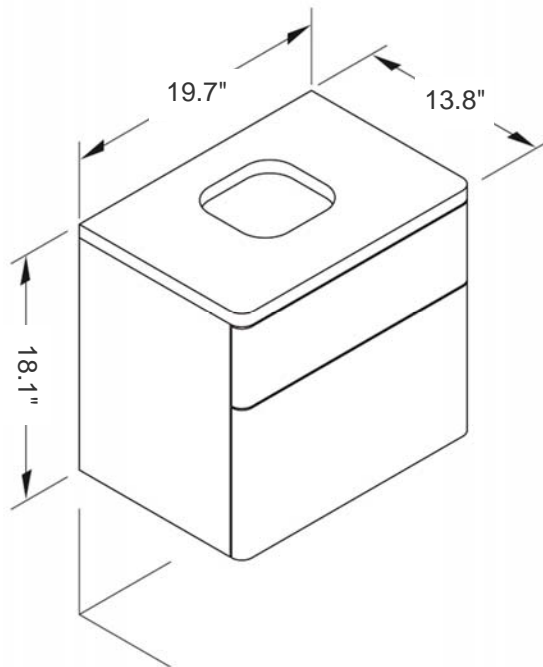
Emma 42 counter-top porcelain Sink

Model Ref. 27085

Color: White

Dimensions: 16.5" L x 12.6" W x 4.9" H (height visible above countertop)

Foot print: 14.7" L x 11.2" W



All dimensions are nominal

BISSONNET

Tel. (610) 454-1295 · Fax (610) 454-9385 · [info@bissonnet.net](mailto:info@bissonnet.net) · [www.bissonnet.net](http://www.bissonnet.net)

## Emma Basic

Freestanding Vanity unit with door and wooden top

Model Ref. 3814500

Material: Chipboard

Color/Finish: White, or White/ Bleached Oak (top and door front)

Features: One interior fixed shelf, polished chrome legs and door pull

Dimensions: 17.7" L x 13.8" W x 28.6" H

Shipping: Top & door ship as a kit, and as such vanity requires light assembly

Optional (sold separately):

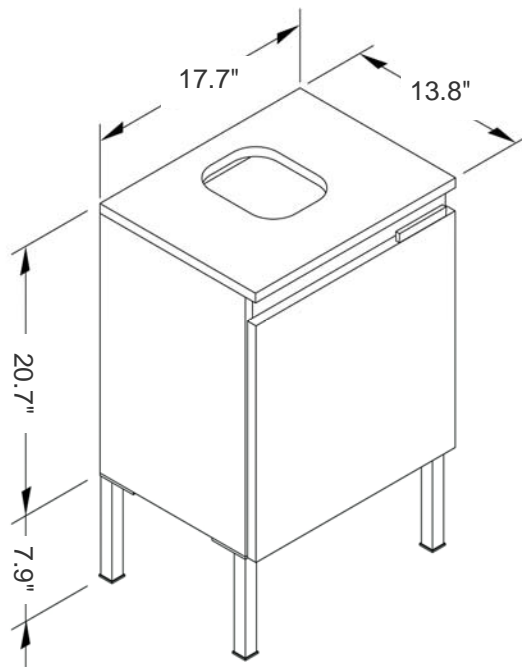
Emma 42 counter-top porcelain Sink

Model Ref. 27085

Color: White

Dimensions: 16.5" L x 12.6" W x 4.9" H (height visible above countertop)

Foot print: 14.7" L x 11.2" W



All dimensions are nominal

BISSONNET

Tel. (610) 454-1295 · Fax (610) 454-9385 · info@bissonnet.net · www.bissonnet.net