

# Emma 25

Model Ref. 27090

Material: Vitreous china

Color: White

Installation: Wall-mount and/or counter-top

Overall Dimensions: 9.8" L x 17.7" W x 5.8" H

Interior Dimensions: 8.5" L x 12.5" W x 4" H

Foot print: 8.5" L x 16.5" W

Drain hole: 1.75" Interior Diameter

Features: Overflow and one pre-drilled faucet hole

Components included: Wall mounting fixing bolts

Recommended accessory (not included): 2.5" Diameter drain i.e. Click-clack Drain Ref. 360551

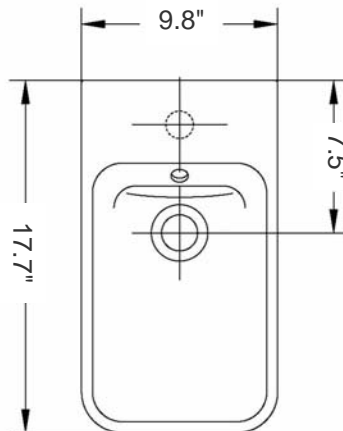
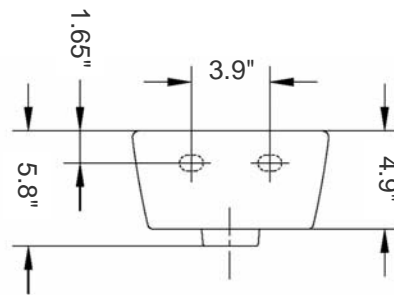
Optional (sold separately):

Wall-mount Vanity cabinet unit with deep drawer

Model Ref. 3817177 (Aqua), or Ref. 3817176 (Anthracite)

Dimensions: 9.8" L x 17.7" W x 18.5" H

Color/Finish: Aqua (*white sides- white/pearl wave-pattern drawer front*), or Anthracite (*grayish brown*)



All dimensions are nominal

BISSONNET

Tel. (610) 454-1295 · Fax (610) 454-9385 · info@bissonnet.net · www.bissonnet.net

# Emma

Wall-mount Vanity unit with deep drawer and wooden top

Model Ref. 3817177 (Aqua), or Ref. 3817176 (Anthracite)

Material: Hardwood

Dimensions: 9.8" L x 17.7" W x 18.1" H

Color/Finish: Aqua (*white sides- white/pearl wave-pattern drawer front*), or Anthracite (*grayish brown*)

Optional (sold separately):

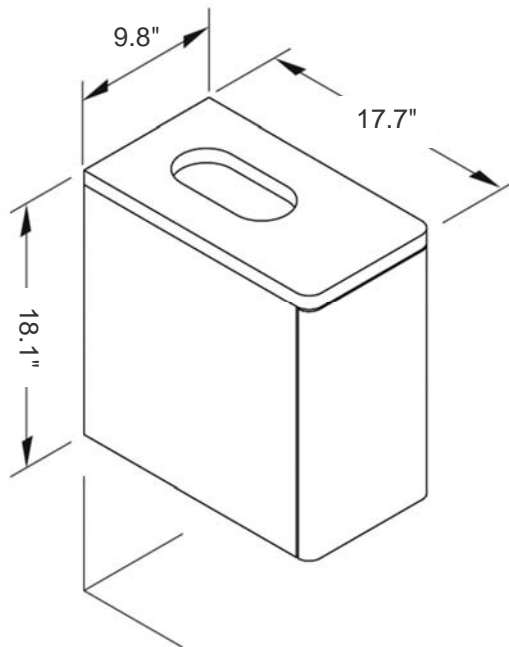
Emma 25 counter-top ceramic Sink with one pre-drilled faucet hole

Model Ref. 27090

Color: White

Dimensions: 9.8" L x 17.7" W x 4.9" H (height visible above countertop)

Foot print: 8.5" L x 16.5" W



BISSONNET

Tel. (610) 454-1295 · Fax (610) 454-9385 · info@bissonnet.net · www.bissonnet.net