

# Emma

Wall-mount and/or freestanding 2-drawer Vanity cabinet with wooden top

Model Ref. 3817276

Material: Hardwood

Color/Finish: Anthracite (*grayish brown*)

Dimensions: 19.7" L x 13.8" W x 18.1" H

Optional (sold separately):

Chrome plated Vanity Legs

Model Ref. 3819900

Material: ABS

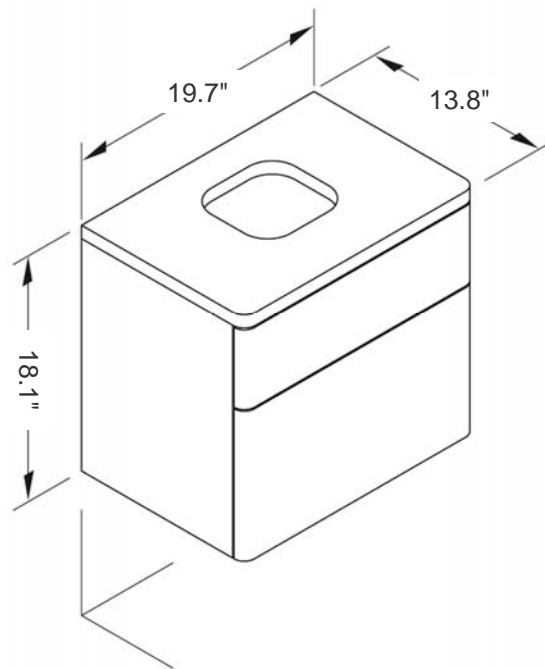
Dimensions: 1.6" L x 1.6" W x 10.6" H

Emma 35 counter-top ceramic Sink

Model Ref. 27080

Color: White

Dimensions: 19.7" L x 13.8" W x 4.9" H (height visible above countertop)



All dimensions are nominal

BISSONNET

Tel. (610) 454-1295 · Fax (610) 454-9385 · info@bissonnet.net · www.bissonnet.net

# Emma 35

Model Ref. 27080

Material: Vitreous china

Color: White

Overall Dimensions: 19.7" L x 13.8" W x 6.2" H

Interior Dimensions: 18.2" L x 9.5" W x 4.4" H

Foot print: 18" L x 12.5" W

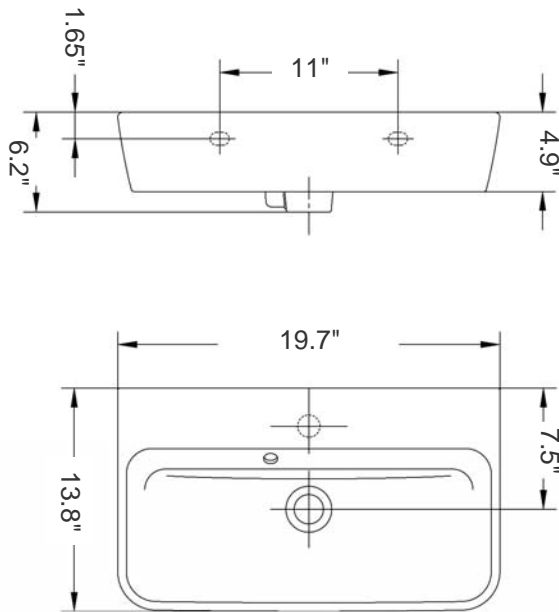
Drain hole: 1.75" Interior Diameter

Installation: Wall-mount and/or counter-top

Features: Overflow and one pre-drilled faucet hole

Components included: Wall mounting fixing bolts

Recommended accessory (not included): 2.5" Diameter drain i.e. Click-clack Drain Ref. 360551



All dimensions are nominal

BISSONNET

Tel. (610) 454-1295 · Fax (610) 454-9385 · info@bissonnet.net · www.bissonnet.net