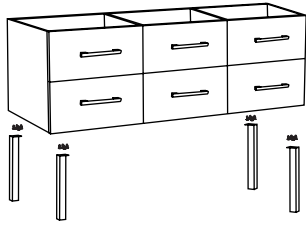


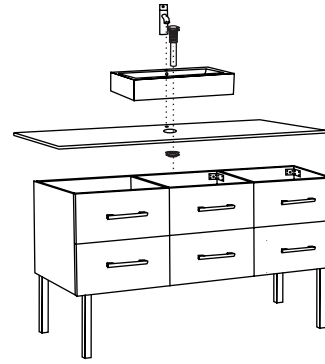
MODEL:DEC012

NO.	ASSEMBLY NAME	QUANTITY	NO.	ASSEMBLY NAME	QUANTITY
(1)	LEG	4	(8)	FAUCET	1
(2)	SCREW $\phi 4/\phi 5$	16/6	(9)	TRESTLE	1
(3)	CABINET	1	(10)	CLAMP	2
(4)	HANDLE	7	(11)	DECORATIVE COVERS	4
(5)	COUNTERTOP	1	(12)	SELF-TAPPING SCREW	6
(6)	BASIN	1	(13)	SIDE CABINET	1
(7)	POP-UP WASTE	1	(14)	MIRROR	1

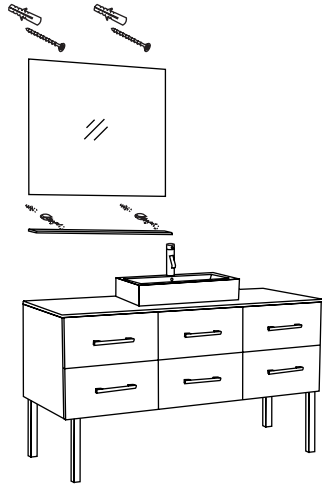
1



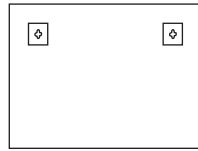
2



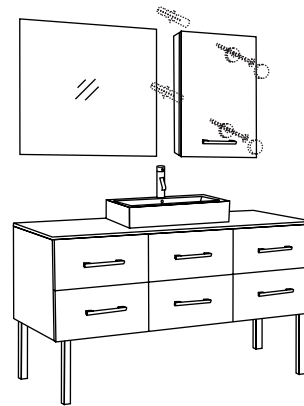
3



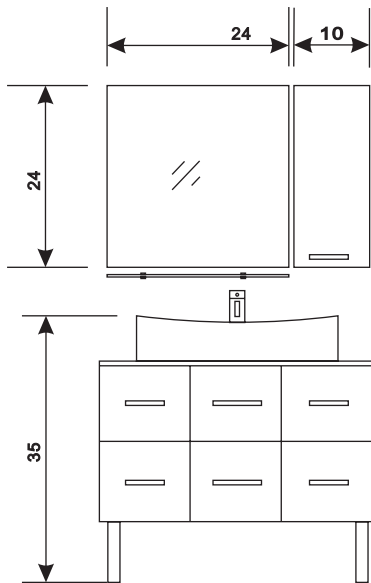
BACK



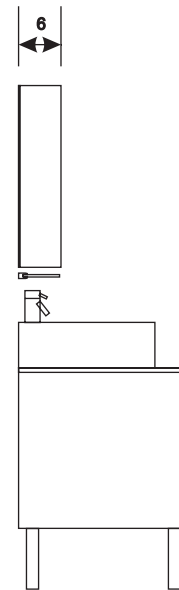
4



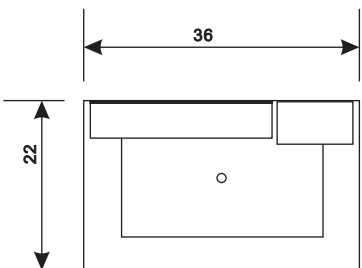
BACK



FRONT VIEW



SIDE VIEW



TOP VIEW