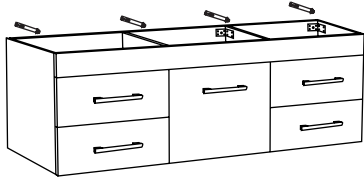


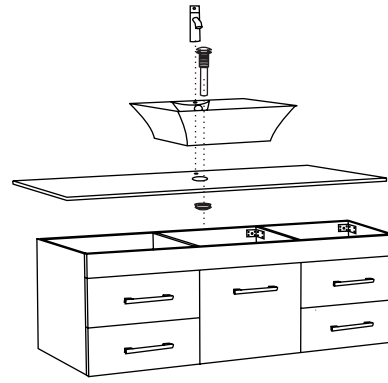
MODEL:DEC1100

NO.	ASSEMBLY NAME	QUANTITY	NO.	ASSEMBLY NAME	QUANTITY
(1)	CABINET	1	(7)	POP-UP WASTE	1
(2)	HANDLE	5	(8)	FAUCET	1
(3)	SCREW	8	(9)	MIRROR	1
(4)	SELF-TAPPING SCREW	8	(10)	TRESTLE	1
(5)	COUNTERTOP	1	(11)	DECORATIVE COVERS	2
(6)	BASIN	1			

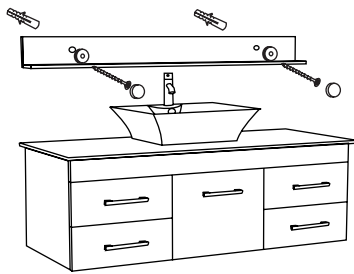
1



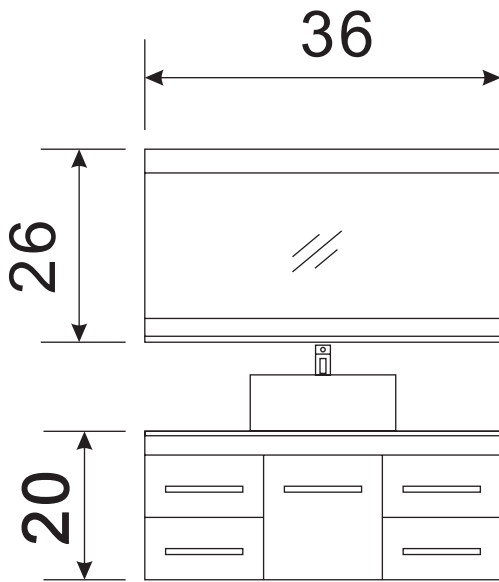
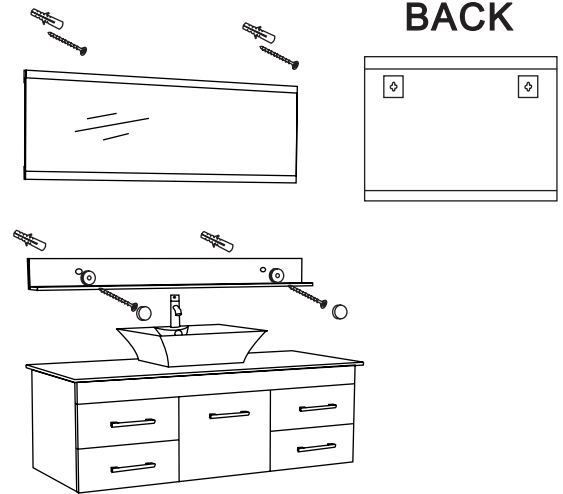
2



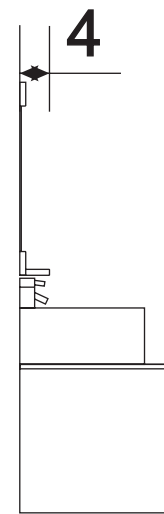
3



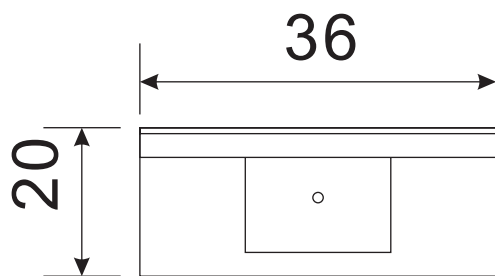
4



FRONT VIEW



SIDE VIEW



TOP VIEW

