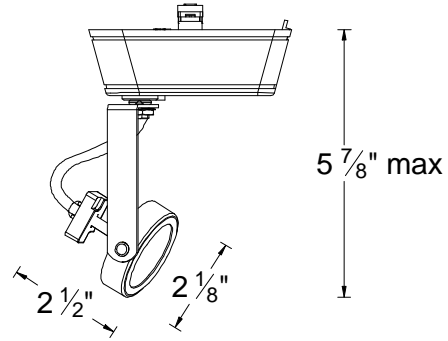


<b>CATALOG NUMBER</b>	<b>TYPE</b>
<b>PROJECT</b>	

**LOW VOLTAGE TRACK HEAD** **SERIES 180**





Ordering Matrix									
Model			Series			Finish			
HHT	JHT	LHT	180	180L	BK	BN/BK	BN/WT	WT	

Ordering Example (model – series – finish): HHT-180-BN/WT

Product Details	
<b>Description:</b>	Premier series low voltage track head for use with W.A.C. brand H, L, J & J2 series track systems. In addition it may fit other manufacturer's original track (consult factory for specific brands).
<b>Materials:</b>	Metal track head with polycarbonate transformer case and track adapter. Bi-pin ceramic socket for MR16 lamp. Clear lens.
<b>Aiming:</b>	350° horizontal rotation and 90° vertical aiming. The aiming screw allows the vertical aiming to be locked in place.
<b>Lamp &amp; Transformer:</b>	MR16 lamp. 50w max. for the 180 and 75w max. for the 180L. Lamp sold separately. Integral electronic transformer for 12 volt MR16 lamps. 120V input.
<b>Systems:</b>	HHT is used with the W.A.C. H system track (HT). JHT is used with the W.A.C. J system and J2 system track (JT & J2-T). LHT is used with the W.A.C. L system track (LT).
<b>Finish:</b>	Abrasion resistant powder coat paint finish. Black (BK), Brushed Nickel track head with Black transformer adapter (BN/BK), Brushed Nickel track head with White transformer adapter (BN/WT), or White (WT).
<b>Listing:</b>	U.L. & C.U.L. listed. 5 year W.A.C. Lighting product warranty.

Specification Features
<ul style="list-style-type: none"> <li>• "Quick-Ship" item, always in stock and available for immediate shipment.</li> <li>• The supplied clear glass lens can be replaced with one lens accessory such as a colored dichroic lens, UV filter lens, frosted lens, etc. See catalog or website for full lens accessory selection.</li> <li>• Low voltage track head extensions are available if longer than standard drops are required. Add X(<i>length</i>) to the front of the ordering code i.e. <b>X24-HHT-180-BN</b>. Ordered as Black, White, or Brushed Nickel.</li> </ul>

Compatible Accessories	
<p><b>JCLIP</b> Ordered when using track heads on 2<sup>nd</sup> circuit of J2 style track.</p>  <p>Order as JCLIP</p>	<p><b>Low Voltage Extensions</b> Factory installed. Available in 6", 12", 18", 24", 36", 48", 72", 96" lengths.</p>  <p>Order as X(<i>length</i>)</p>