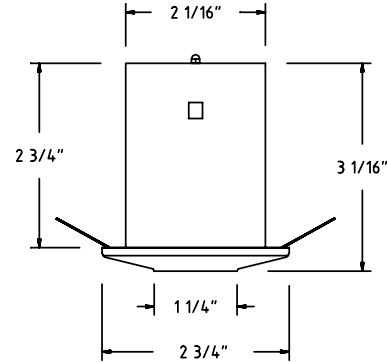


CATALOG NUMBER	TYPE
PROJECT	

LOW VOLTAGE MINIATURE RECESSED

MODEL HR-1136



Ordering Matrix

Model	Series	Finish				
<input type="text"/>	<input type="text"/>	<input type="text"/>				
HR	1136	BK	BN	CH	GL	WT

Ordering Example (*model – series – finish*): HR-1136-BN




Product Details

Description:	Low voltage miniature recessed bevel trim unit with clear glass lens. Used for lighting in cabinets, displays and similar wooden applications.
Materials:	Housing is steel, finished in selected color. Electrical component consists of a bi-pin ceramic socket with nickel plating and 30" of 18 gauge teflon insulated wires with fiberglass sleeves leading from the socket to strip-prepared ends.
Transformer & Lamp:	Remote electronic class II transformer required, sold separately. Use one MR11 20w-35w, 12 volt lamp. Sold separately.
Finish:	BK = Black powder coat paint GL = Gold electroplated BN = Brushed Nickel electroplated WT = White powder coat paint CH = Chrome electroplated
Mounting:	Two flat "wing" springs expand against the cut out hole to hold fixture against the surface. The socket and insulated wires are installed into the housing with the wires leading out through the side of the housing to the remote power transformer. 2 3/8" cutout hole.
Ratings:	U.L. and C.U.L. listed. Conforms to U.L. standard 1598. Certified to C.S.A. standard C22.2, #250. 2 year W.A.C. Lighting product warranty.

Specification Features

- The supplied clear glass lens can be replaced with one lens accessory such as a colored dichroic lens, UV filter lens, frosted lens, etc. See catalog or website for full lens accessory selection.
- An all-in-one style recessed unit, comes with housing and trim. No need to order additional fixture parts, it is ready to install out of one box.
- Non-IC unit. Intended for installations where insulating materials will not be present.
- "Quick-Ship" item, always in stock and available for immediate shipment.

Compatible Electronic Transformers (sold separately):

EN-1260-RB2 Boxed Class II 120V input – 12V output Load: 20w-60w (60w max)		EN-1260-R2 Component Class II 120V input – 12V output Load: 20w-60w (60w max)		EN-1260-P-AR Cord & Plug Class II 120V input – 12V output Load: 20w-60w (60w max)	
--	---	---	--	---	---