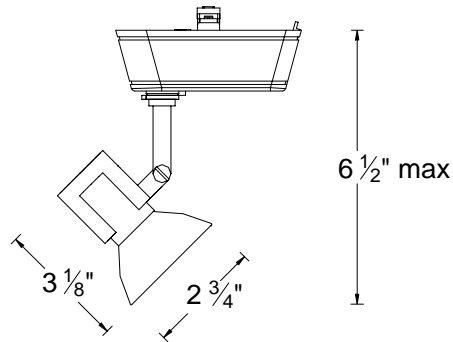


CATALOG NUMBER	TYPE
PROJECT	

LOW VOLTAGE TRACK HEAD

SERIES 856



Ordering Matrix

Model			Series		Finish			
[]			[]		[]			
HHT	JHT	LHT	856	856L	BK	BN/BK	BN/WT	WT

Ordering Example (model – series – finish): HHT-856-WT

Product Details

Description: Premier series low voltage track head for use with W.A.C. brand H, L, J & J2 series track systems. In addition it may fit other manufacturer's original track (consult factory for specific brands).

Materials: Die-cast aluminum track head with polycarbonate transformer case and track adapter. Bi-pin ceramic socket for MR16 lamp.

Aiming: 350° horizontal rotation and 90° vertical aiming. The screw and swivel yoke aiming allows precise adjustment to the desired angle.

Lamp & Transformer: MR16G lamp. 50w max. for the 856 and 75w max. for the 856L. Lamp sold separately.
Integral electronic transformer for 12 volt MR16 lamps. 120V input. Dimmable with electronic low voltage dimmers.

Systems: HHT is used with the W.A.C. H system track (HT).
JHT is used with the W.A.C. J system and J2 system track (JT & J2-T).
LHT is used with the W.A.C. L system track (LT).

Finish: Abrasion resistant powder coat paint finish. Black (BK), Brushed Nickel track head with Black transformer adapter (BN/BK), Brushed Nickel track head with White transformer adapter (BN/WT), or White (WT).

Listing: U.L. & C.U.L. listed. 2 year W.A.C. Lighting product warranty.

Specification Features

- "Quick-Ship" item, always in stock and available for immediate shipment.
- Can use one lens accessory such as a colored dichroic lens, UV filter lens, frosted lens, etc. Order lens accessory and LENS-16-CLIP. See catalog or website for full lens accessory selection.
- Low voltage track head extensions are available if longer than standard drops are required. Add X(*length*) to the front of the ordering code i.e. **X24-HHT-856-WT**. Ordered as Black, White, or Brushed Nickel.

Compatible Accessories

<p>JCLIP Ordered when using track heads on 2nd circuit of J2 style track.</p>  <p>Order as JCLIP</p>	<p>Lens Clip Used to attach accessory lens to MR16 lamp.</p>  <p>Order as LENS-16-CLIP</p>	<p>Low Voltage Extension Factory installed. Available in 6", 12", 18", 24", 36", 48", 72", 96" lengths.</p>  <p>Order as X(<i>length</i>)</p>
--	---	--