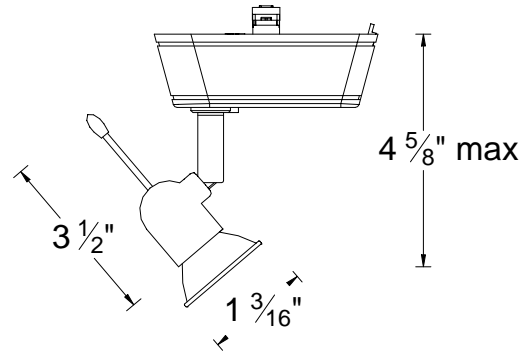


CATALOG NUMBER	TYPE
PROJECT	

LOW VOLTAGE TRACK HEAD

SERIES 816



Ordering Matrix									
Model			Series			Finish			
<input type="text"/>			<input type="text"/>			<input type="text"/>			
HHT	JHT	LHT	816	816L	BK	BN/BK	BN/WT	WT	

Ordering Example (model – series – finish) : HHT-816L-BN/BK

Product Details	
Description:	Premier series low voltage track head for use with W.A.C. brand H, L, J & J2 series track systems. In addition it may fit other manufacturer's original track (consult factory for specific brands).
Materials:	Die-cast aluminum track head with polycarbonate transformer case and track adapter. Bi-pin ceramic socket for MR11 or MR16 lamp.
Aiming:	350° horizontal rotation and 90° vertical aiming. The ball and hub style aiming allows easy and fine adjustment to the desired angle.
Lamp & Transformer:	MR11G or MR16G lamp. 50w max. for the 816 and 75w max. for the 816L. Lamp sold separately. Integral electronic transformer for 12 volt lamps. 120V input. Dimmable with electronic low voltage dimmers.
Systems:	HHT is used with the W.A.C. H system track (HT). JHT is used with the W.A.C. J system and J2 system track (JT & J2-T). LHT is used with the W.A.C. L system track (LT).
Finish:	Abrasion resistant powder coat paint finish. Black (BK), Brushed Nickel track head with Black transformer adapter (BN/BK), Brushed Nickel track head with White transformer adapter (BN/WT), or White (WT).
Listing:	U.L. & C.U.L. listed. 2 year W.A.C. Lighting product warranty.

Specification Features
<ul style="list-style-type: none"> “Quick-Ship” item, always in stock and available for immediate shipment. Can use one lens accessory such as a colored dichroic lens, UV filter lens, frosted lens, etc. Order lens accessory and LENS-XX-CLIP. See catalog or website for full lens accessory selection. Low voltage track head extensions are available if longer than standard drops are required. Add X(<i>length</i>) to the front of the ordering code i.e. X24-HHT-816-BN. Ordered as Black, White, or Brushed Nickel.

Compatible Accessories		
JCLIP Ordered when using track heads on 2 nd circuit of J2 style track.  Order as JCLIP	Lens Clip Used to attach accessory lens to MR11 or MR16 lamp.  Order as LENS-XX-CLIP	Low Voltage Extension Factory installed. Available in 6", 12", 18", 24", 36", 48", 72", 96" lengths.  Order as X(<i>length</i>)