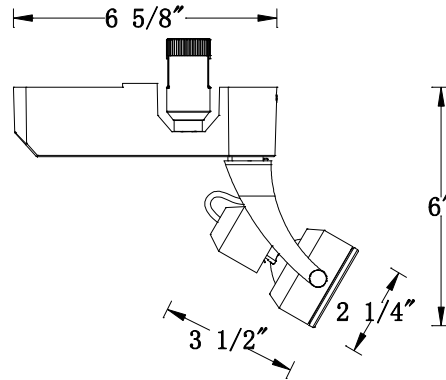


CATALOG NUMBER	TYPE
PROJECT	

FLEXRAIL1™ – LOW VOLTAGE TRACK HEAD

SERIES HM1-849



Ordering Matrix		
Series	Model	Finish
HM1	849 849L	DB PT

Ordering Example (series number – model number – finish): HM1-849-DB

Product Details	
Description:	Flexrail1™ compatible cone style low voltage track head utilizing MR16 lamps.
Materials:	Die-cast aluminum track head with polycarbonate transformer case and track adaptor. Clear lens.
Socket:	Ceramic bi-pin socket G5.3/G6.35
Transformer:	Integral electronic transformer for 12 volt MR16 lamps. 120V input.
Lamping:	MR16 lamp 50W MAX. for the 849 and MR16 lamp 75W MAX. for the 849L (LAMP sold separately)
Aiming :	350° horizontal rotation and 90° vertical aiming, The screw and swivel yoke aiming allows precise adjustment to the desired angle.
Finish:	Abrasion resistant platinum or bronze paint finish. DB = Dark Bronze metal finish PT = Platinum metal finish
Listing:	UL & CUL Listed.

Specification Features
<ul style="list-style-type: none"> Die-cast aluminum track head with smooth aiming and contemporary design. The supplied clear glass lens can be replaced with one lens accessory such as a colored dichroic lens, UV filter lens, frosted lens ,etc. See catalog or website for full lens accessory selection. 5 year WAC Lighting product warranty.