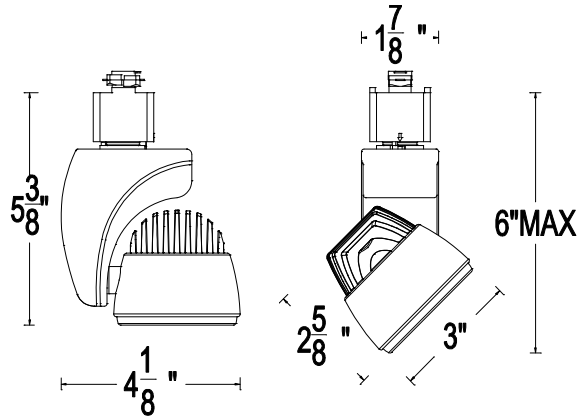


CATALOG NUMBER	TYPE
PROJECT	

LEDme™ TRACK LUMINAIRES – LINE VOLTAGE

9W SERIES



Ordering Matrix

Track	Wattage	Beam Spread	Color Temperature	Finish
L H J	9=9W	S =10° F =25°	WW = 3000K CW = 4500K	BK = Black WT = White BN = Brushed Nickel

Ordering Example (Track – Wattage & Beam Spread - Color Temperature - Finish) : H-9S-WW-BN

Product Details

Description:	LED track head using high quality LED lamps. Designed for use with WAC. H & L & J series track. Adaptable to other manufacturer's track. (Consult factory for specific brands).	
Materials:	Die-cast aluminum fixture, Clear or beam spread tempered glass included.	
Driver	700mA constant current LED driver	
	Input Voltage:	100V~240V AC (50/60Hz)
	Input Current :	0.22A
	Output Voltage:	3~21V DC
	Output Current:	700mA
	Load:	9W
Aiming:	360° horizontal rotation and 180° vertical continuous aiming.	
Lamping:	Using 3 X 3W LED lamps	
	Color Temperature:	3000K 4500K
	Total Light Output:	325lm 374lm
	CRI:	85 80
Finish:	Electrical plated - Brushed Nickel, Powder coated – Black , White	
Listing:	UL & CUL Listed.	

Specification Features

- Abrasion Resistant Finish Options:
BK = Black
BN = Brushed Nickel
WT = White
- Compatible to other manufacture's track systems (Consult factory for specific details)
- Die-cast aluminum fixture with continuous aiming to assure flexible directional adjustment.
- LED Junction temperature below 80 degree Celsius
- LED lamp life up to 50,000 hours
- Free of projected heat, IR, and UV
- Color Temperature Options:
WW = 3000K
CW = 4500K
- CRI of 85
- 5 year product warranty.

Track Adaptor Information

**Standard Adaptor
For L style
WAC track**



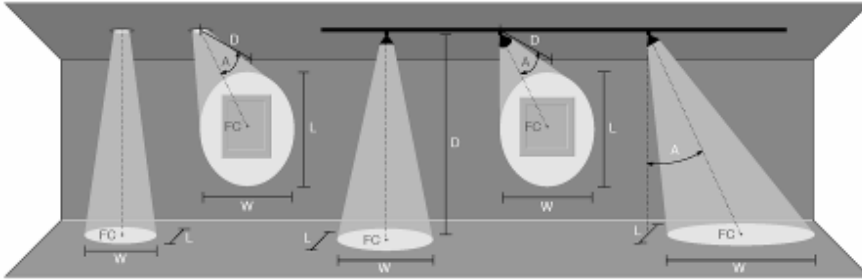
**Standard Adaptor
For H style
WAC track**



**Standard Adaptor
For J style
WAC track**

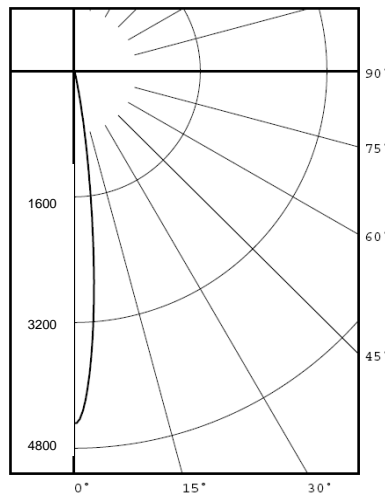


Photometry

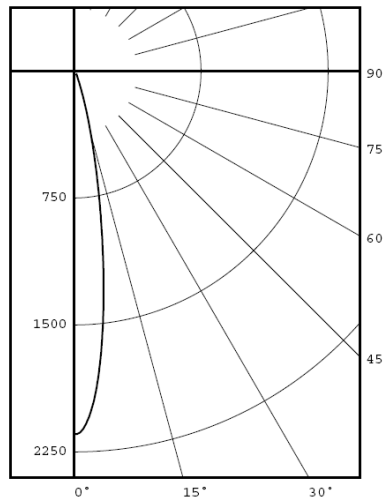


D Distance To Fixture From Wall Or Floor
FC Initial Footcandle Level At Center Of Beam
L Beam Length (where candlepower drops to 50% of maximum)
W Beam Width (where candlepower drops to 50% of maximum)

H-9S-WW (10DEG)			
0° Aiming Angle			
D(ft)	FC	W	L
3	528	0.5	0.5
6	132	1.0	1.0
9	59	1.6	1.6
12	33	2.1	2.1
45° Aiming Angle			
D(ft)	FC	W	L
3	187	1.1	0.7
6	47	2.1	1.5
9	21	3.2	2.2
12	12	4.2	3.0



H-9F-WW (10DEG)			
0° Aiming Angle			
D(ft)	FC	W	L
3	238	1.1	1.1
6	60	2.1	2.1
9	26	3.2	3.2
12	15	4.2	4.2
45° Aiming Angle			
D(ft)	FC	W	L
3	84	2.2	1.5
6	21	4.4	3.0
9	9	6.6	4.5
12	5	8.7	6.0



The above photometric data is for 3000K LED. For 4500K, multiply by 1.15.