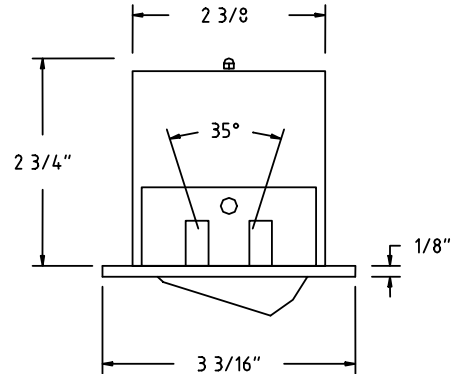


| | |
|-----------------------|-------------|
| CATALOG NUMBER | TYPE |
| PROJECT | |

LOW VOLTAGE MINIATURE RECESSED

MODEL HR-1135



Ordering Matrix

| Model | Series | Finish | | |
|-------|--------|--------|----|----|
| | | | | |
| HR | 1135 | BK | GL | WT |

Ordering Example (model – series – finish): HR-1135-GL

Product Details

Description: Low voltage miniature recessed “eyeball” unit with clear glass lens. Used for lighting in cabinets, displays and similar wooden applications.

Materials: Housing is steel, painted black. Electrical components within the can are a bi-pin ceramic socket with nickel plating and 18 gauge teflon insulated wires with fiberglass sleeves. A total of 30” of insulated wires lead from the socket out the top of the can to the strip-prepared ends.

Transformer & Lamp: Remote electronic class II transformer required, sold separately. Use one MR11 20w-35w, 12 volt lamp. Sold separately.

Finish: BK = Black powder coat paint
GL = Gold electroplated
WT = White powder coat paint




Mounting: Two horizontal flat springs expand against the cut out hole to hold fixture against the surface. The insulated wires and socket are pre-installed in the housing with the wires leading out through the top of the housing. Simply connect to the remote class II transformer. 2 5/8” cutout hole.

Ratings: U.L. and C.U.L. listed. Conforms to U.L. standard 1598.
Certified to C.S.A. standard C22.2, #250.
2 year W.A.C. Lighting product warranty.

Specification Features

- Lamp has a 35° adjustable tilt from nadir.
- The supplied clear glass lens can be replaced with one lens accessory such as a colored dichroic lens, UV filter lens, frosted lens, etc. See catalog or website for full lens accessory selection.
- An all-in-one style recessed unit, comes with housing and trim. No need to order additional fixture parts, it is ready to install out of one box.
- Non-IC unit. Intended for installations where insulating materials will not be present.
- “Quick-Ship” item, always in stock and available for immediate shipment.

Compatible Electronic Transformers (sold separately):

| | | | | | |
|--|---|---|---|---|---|
| EN-1260-RB2 Boxed Class II 120V input – 12V output Load: 20w-60w (60w max) |  | EN-1260-R2 Component Class II 120V input – 12V output Load: 20w-60w (60w max) |  | EN-1260-P-AR Cord & Plug Class II 120V input – 12V output Load: 20w-60w (60w max) |  |
|--|---|---|---|---|---|