

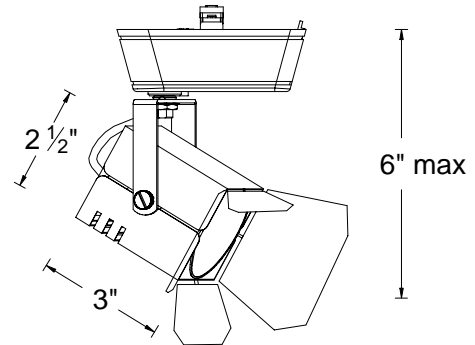
|                       |             |
|-----------------------|-------------|
| <b>CATALOG NUMBER</b> | <b>TYPE</b> |
| <b>PROJECT</b>        |             |

**LOW VOLTAGE TRACK HEAD**

**SERIES 801**



Shown with 801BD option



**Ordering Matrix**

| Model |     |     | Series |      | Finish |    |
|-------|-----|-----|--------|------|--------|----|
| [ ]   |     |     | [ ]    |      | [ ]    |    |
| HHT   | JHT | LHT | 801    | 801L | BK     | WT |

Ordering Example (model – series – finish): HHT-801-WT

**Product Details**

**Description:** Low voltage track head for use with W.A.C. brand H, L, J & J2 series track systems. In addition it may fit other manufacturer's original track (consult factory for specific brands).

**Materials:** All metal track head with polycarbonate transformer case and track adapter. Bi-pin ceramic socket for MR16 lamp. Clear lens.

**Aiming:** 350° horizontal rotation and 90° vertical aiming. The screw and swivel yoke aiming allows precise adjustment to the desired angle.

**Lamp & Transformer:** MR16 lamp. 50w max. for the 801 and 75w max. for the 801L. Lamp sold separately.  
 Integral electronic transformer for 12 volt MR16 lamps. 120V input. Dimmable with electronic low voltage dimmers.

**Systems:** HHT is used with the W.A.C. H system track (HT).  
 JHT is used with the W.A.C. J system and J2 system track (JT & J2-T).  
 LHT is used with the W.A.C. L system track (LT).

**Finish:** Abrasion resistant paint finish. Black (BK) or White (WT).

**Listing:** U.L. & C.U.L. listed. 2 year W.A.C. Lighting product warranty.

**Specification Features**

- "Quick-Ship" item, always in stock and available for immediate shipment.
- The supplied clear glass lens can be replaced with one lens accessory such as a colored dichroic lens, UV filter lens, frosted lens, etc. See catalog or website for full lens accessory selection.
- Low voltage track head extensions are available if longer than standard drops are required. Add X(*length*) to the front of the ordering code i.e. **X24-HHT-801-WT**. Ordered as Black or White.

**Compatible Accessories**

|   |  |   |
|---|--|---|
| <p>JCLIP<br/>         Ordered when using track heads on 2<sup>nd</sup> circuit of J2 style track.</p>  <p>Order as JCLIP</p> | <p>801BD<br/>         Barn door for 801 track head.</p>  <p>Order as 801BD-finish</p> | <p>Low Voltage Extension<br/>         Factory installed. Available in 6", 12", 18", 24", 36", 48", 72", 96" lengths.</p>  <p>Order as X(<i>length</i>)</p> |
|---|--|---|