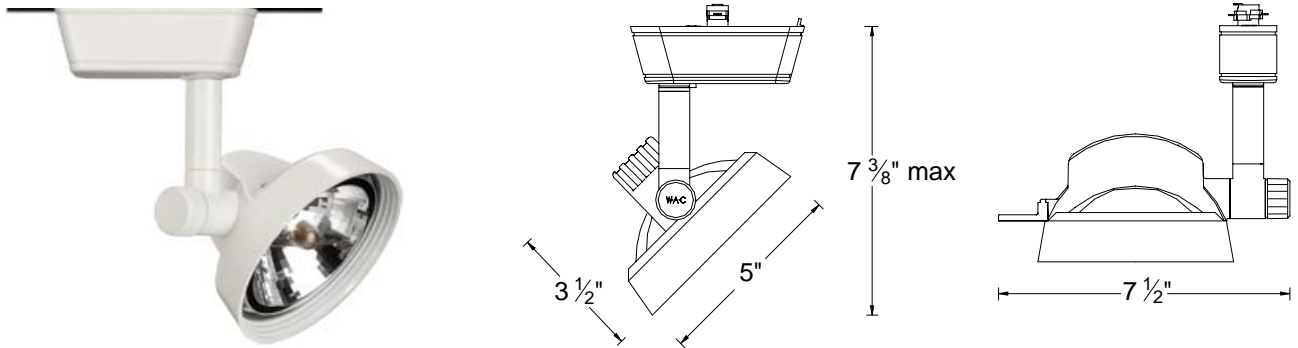


CATALOG NUMBER	TYPE
PROJECT	

LOW VOLTAGE TRACK HEAD

SERIES 936



Ordering Matrix			Series		Finish	
Model			Series		Finish	
[]			[]		[]	
HHT	JHT	LHT	936	936L	BK	WT

Ordering Example (model – series – finish) : HHT-936L-WT

Product Details

Description: Premier series low voltage track head for use with W.A.C. brand H, L, J & J2 series track systems. In addition it may fit other manufacturer's original track (consult factory for specific brands).

Materials: Metal track head with polycarbonate transformer case and track adapter. Two wire leads with u-posts for attaching to AR111 or PAR36 lamp terminal base.

Aiming: 350° horizontal rotation and 90° vertical aiming. One locking tension knob serves as part of the fixture design and retains the vertical aiming angle.

Lamp & Transformer: AR111 or PAR36 lamp. 50w max. for the 936 and 75w max. for the 936L. Lamp sold separately. Integral electronic transformer for 12 volt lamps. 120V input. Dimmable with electronic low voltage dimmers.

Systems: HHT is used with the W.A.C. H system track (HT). JHT is used with the W.A.C. J system and J2 system track (JT & J2-T). LHT is used with the W.A.C. L system track (LT).

Finish: Abrasion resistant powder coat paint finish. Black (BK) or White (WT).

Listing: U.L. & C.U.L. listed. 2 year W.A.C. Lighting product warranty.

Specification Features

- "Quick-Ship" item, always in stock and available for immediate shipment.
- Electronic transformer has advanced auto-reset, soft start and short circuit protection features. The soft start delayed lamp start feature extends lamp life by delaying the abrupt inrush current to the lamp.
- Low voltage track head extensions are available if longer than standard drops are required. Add X(*length*) to the front of the ordering code i.e. **X24-HHT-936-WT**. Ordered as Black or White.

Compatible Accessories

JCLIP
 Ordered when using track heads on 2nd circuit of J2 style track.



Order as JCLIP

Low Voltage Extensions
 Factory installed.
 Available in 6", 12", 18", 24", 36", 48", 72", 96" lengths.



Order as X(*length*)