

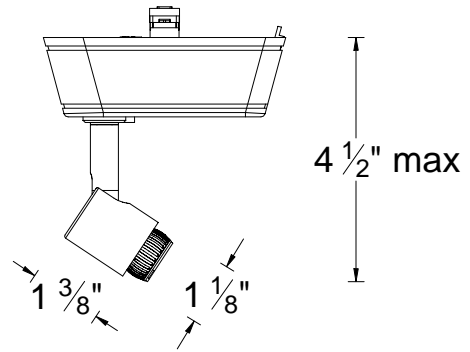
CATALOG NUMBER	TYPE
PROJECT	

LOW VOLTAGE TRACK HEAD

SERIES 814



Shown with G114-WT shade



Track Head Ordering Matrix

Model			Series		Finish			
<input type="text"/>			<input type="text"/>		<input type="text"/>			
HHT	JHT	LHT	814	814L	BK	PT/BK	PT/WT	WT

Ordering Example (model – series – finish + shade) : HHT-814L-BN/WT + G114-WT

Product Details

Description: Premier series low voltage track head with decorative shade options for use with W.A.C. brand H, L, J & J2 series track systems. In addition it may fit other manufacturer's original track (consult factory for specific brands).

Materials: Die-cast aluminum track head with polycarbonate transformer case and track adapter. Bi-pin ceramic socket for MR16 lamp.

Aiming: 350° horizontal rotation and 90° vertical aiming. The ball and hub style aiming allows easy and fine adjustment to the desired angle.

Lamp & Transformer: MR16G lamp. 50w max. for the 814 and 75w max. for the 814L. Lamp sold separately.
 Integral electronic transformer for 12 volt MR16 lamps. 120V input. Dimmable with electronic low voltage dimmers.

Systems: HHT is used with the W.A.C. H system track (HT).
 JHT is used with the W.A.C. J system and J2 system track (JT & J2-T).
 LHT is used with the W.A.C. L system track (LT).

Finish: Abrasion resistant paint finish. Black (BK), Platinum track head with Black transformer adapter (PT/BK), Platinum track head with White transformer adapter (PT/WT), or White (WT).

Listing: U.L. & C.U.L. listed. 2 year W.A.C. Lighting product warranty.

Specification Features

- "Quick-Ship" item, always in stock and available for immediate shipment.
- Electronic transformer has advanced auto-reset, soft start and short circuit protection features. The soft start delayed lamp start feature extends lamp life by delaying the abrupt inrush current to the lamp.
- Low voltage track head extensions are available if longer than standard drops are required. Add X(*length*) to the front of the ordering code i.e. **X24-HHT-814-BN**. Ordered as Black, White, or Brushed Nickel.

Compatible Accessories

JCLIP
 Ordered when using track heads on 2nd circuit of J2 style track.



Order as JCLIP

Low Voltage Extensions
 Factory installed.
 Available in 6", 12", 18", 24", 36", 48", 72", 96" lengths.



Order as X(*length*)

CATALOG NUMBER	TYPE
PROJECT	

LOW VOLTAGE TRACK HEAD

SERIES 814

Shade Ordering Matrix

Shade							Finish
<input style="width: 100%; height: 20px;" type="text"/>							<input style="width: 100%; height: 20px;" type="text"/>
G111	G112	G113	G114	G115	G116	G119	<i>see table below</i>

Ordering Example (model – series – finish + shade): HHT-814L-BN/WT + G114-WT

Glass and Metal Shade Options:

G111 - □□ Finishes: AM , BL , PE , WT					
G112 - □□ Finishes: AM , BL , WT					
G113 - □□ Finishes: AM , BL , WT					
G115 - □□ Finishes: BZ, CH, PT					
G116 - □□ Finishes: BZ, CH, PT					
G114 - □□ Finishes: AM , BL , GR, RD, WT					
G119 - □□ Finishes: AM , BL , WT					

Finish Key:
 AM Amber, BL-Blue, BZ = Bronze, CH-Chrome, GR = Green, PE = Peach, PT = Platinum, RD = Red, WT-White