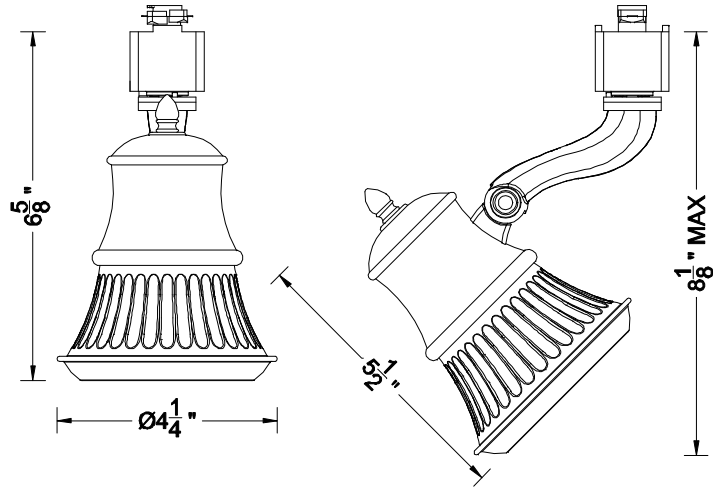


<b>CATALOG NUMBER</b>	<b>TYPE</b>
<b>PROJECT</b>	

**LINE VOLTAGE TRACK HEAD**

**SERIES 793**



**Ordering Matrix**

Model			Series	Finish
[ ]			[ ]	[ ]
HTK	JTK	LTK	793	AB

Ordering Example (model – series – finish): HTK-793-AB

**Product Details**

**Description:** Line voltage track head using PAR20 lamps. Designed for use with WAC H, L, J & J2 series track. In addition it may fit other manufacturer's track (consult factory for specific brands).

**Materials:** Die-cast aluminum alloy lamp holder housing, corrosion resistant metal shade and polycarbonate track adaptor. Medium base 250V ceramic socket with nickel-plated copper screw shell.

**Aiming:** 360° horizontal rotation and 90° vertical aiming.

**Lamping:** Uses medium base PAR20 lamps, 50W max. 120 volt.

**Systems:** HTK is used with the WAC H system track (HT).  
JTK is used with the WAC J system and J2 system track (JT & J2-T).  
LTK is used with the WAC L system track (LT).

**Finish:** Electroplated Antique Bronze (AB).

**Listing:** UL & CUL Listed. 5 year WAC Lighting product warranty.

**Specification Features**

- Arm mounted track head providing maximum installation convenience with its ability to work on four different track systems.
- The 793 series track head utilizes the second circuit on the J2 style track with the use of the JClip (ordered separately).
- Hand finished Antique Bronze coordinates with today's faucets, fixtures, cabinet hardware and furniture.
- Machined solid brass decorative hardware adds aesthetically appealing detail to the fixture.
- Decorative traditional design complements historical architectural styles while meeting the design needs of today.
- Track adapter are Dark Bronze to match WAC bronze 120V Track.