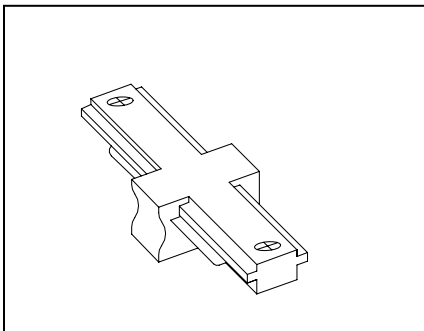


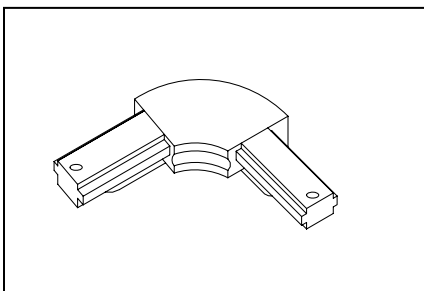
LINEAR TRACK COMPONENTS



MODEL NO. SI

“I” CONNECTOR
STRAIGHT LINE CONNECTOR USED TO JOIN TWO SECTIONS OF TRACK.

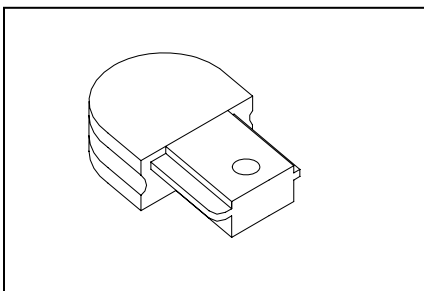
- AVAILABLE IN BLACK OR WHITE
- UL AND C-UL LISTED



MODEL NO. SL

“L” CONNECTOR USED TO JOIN TWO SECTIONS OF TRACK AT A 90° ANGLE.

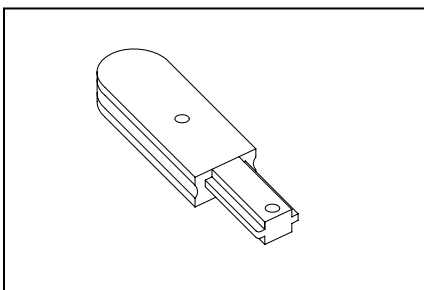
- AVAILABLE IN BLACK OR WHITE
- UL AND C-UL LISTED



MODEL NO. SEC

AN ADDITIONAL END CAP IS USED WHEN A TRACK IS CUT INTO TWO OR MORE SECTIONS.

- AVAILABLE IN BLACK OR WHITE
- UL AND C-UL LISTED



MODEL NO. SLE

LIVE END CONNECTOR, USED TO BRING POWER TO LINEAR TRACK. CONNECTS WITH WIRES FROM SURFACE MOUNT OR REMOTE TRANSFORMERS.

- AVAILABLE IN BLACK OR WHITE
- UL AND C-UL LISTED