

# INSTRUCTIONS: Model: QF-184 Fixture

## INSTRUCTIONS PERTAINING TO A RISK OF FIRE, OR INJURY

Lighted lamp is HOT!

**WARNING-** To reduce the risk of FIRE OR INJURY:

Turn off all power and allow to cool before replacing lamp.

Lamp gets HOT quickly! Contact only switch/plug when turning on.

Do not touch lens, guard, or enclosure.

Keep away from materials that may burn.

Do not touch the lamp at any time. Use a soft cloth. Oil from skin may damage lamp.

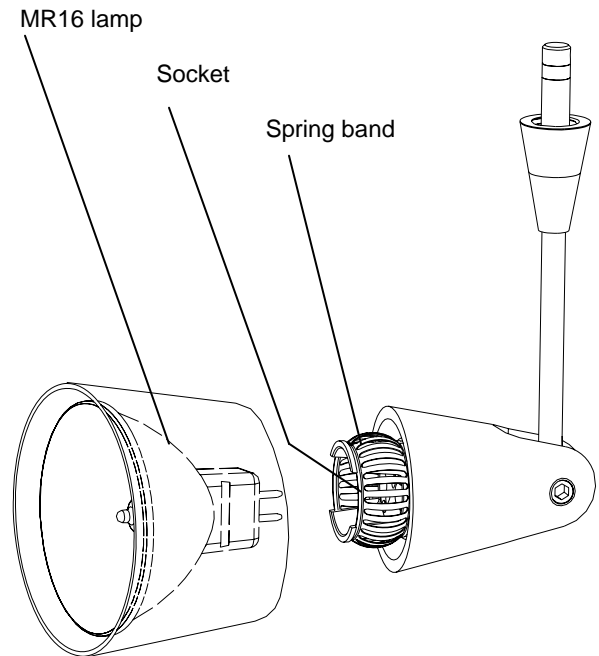
Do not operate the luminaire with a missing lens or damaged shield.

Save these instructions.

**Overview:** Fixtures are designed for use with all WAC quick connect adapters. They may also be used on other manufacturers brand of quick connect (consult factory for compatibility).

This fixture may be mounted to Monorail, Monopoints, Flexrail2, Linear, or standard track, by coupling to a female quick connect adapter.

The fixture is compatible with various metal and glass shade choices (see below).



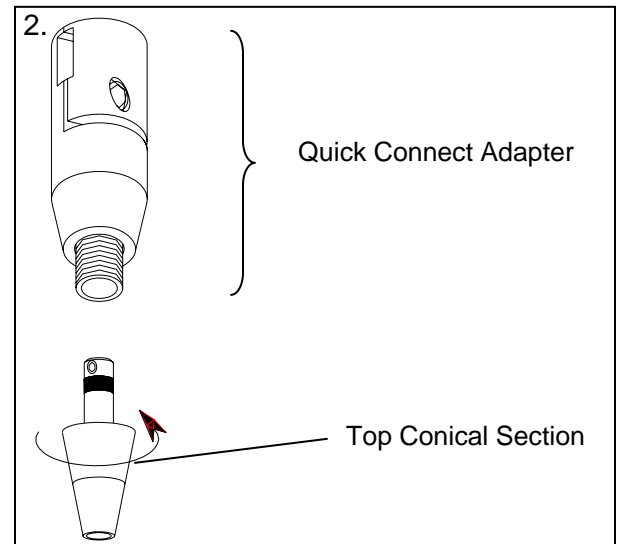
Shown above with the G119 shade

### Installing lamp & Shade:

1. Place the lamp inside the shade so the two pins protrude through the back. Insert the lamp into the fixture by aligning the pins with the socket holes, and gently pushing until lamp seats.
2. Use an MR16-G (glass covered lamp) 75 watt max (12 or 24 volt depending on power supply).
3. Note: Fixture may also be used with 50W Xenon bi-pin lamp.

### Installing the quick connect:

1. Insert the post of the quick connect into the quick connect adapter.
2. Thread the top half of the conical section until it seats with the adapter.
3. Adjust fixture position, use caution not to loosen the conical section.



### Accessories:

Accepts glass or metal shades from the G100 series.



**W·A·C** | LIGHTING  
www.waclighting.com

615 South Street, Garden City, NY 11530  
Tel: (516) 515-5000 Fax: (516) 516-5050

168 Brea Canyon Road, City of Industry, CA 91789  
Tel: (909) 468-1848 Fax: (909) 468-9958

09/01/06 Rev 1