

INSTRUCTIONS: Model: QF-183 Fixture

INSTRUCTIONS PERTAINING TO A RISK OF FIRE, OR INJURY

Lighted lamp is HOT!

WARNING- To reduce the risk of FIRE OR INJURY:

Turn off all power and allow to cool before replacing lamp. Lamp gets HOT quickly! Contact only switch/plug when turning on.

Do not touch lens, guard, or enclosure.

Keep away from materials that may burn.

Do not touch the lamp at any time. Use a soft cloth. Oil from skin may damage lamp.

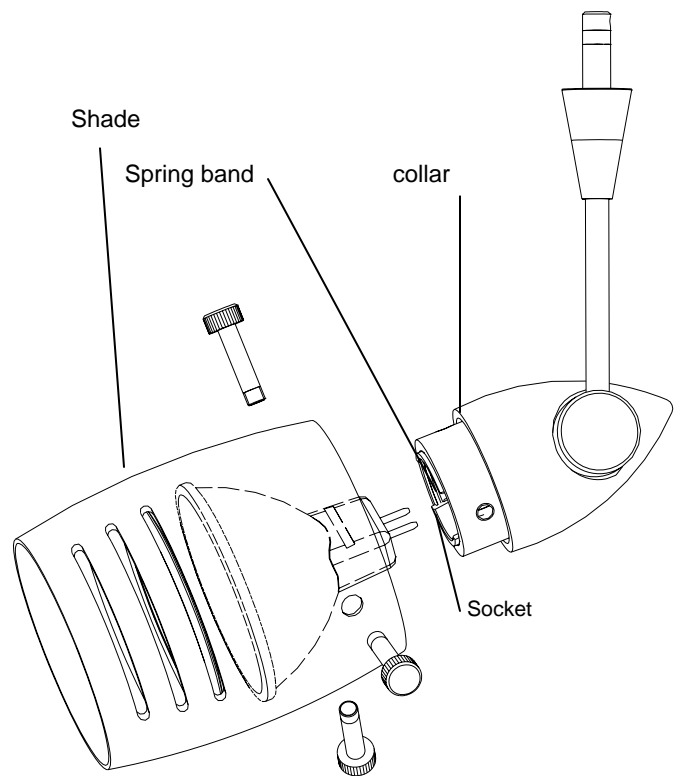
Do not operate the luminaire with a missing lens or damaged shield.

Save these instructions.

Overview: Fixtures are designed for use with all WAC quick connect adapters. They may also be used on other manufacturers brand of quick connect (consult factory for compatibility).

This fixture may be mounted to Monorail, Monopoints, Flexrail2, Linear, or standard track, by coupling to a female quick connect adapter.

The fixture is compatible with various metal and glass shade choices (see below).



Shown above with the G183 shade

Installing lamp with G183 shade (supplied) :

1. Place the metal collar over the spring band.
2. Insert the lamp into the fixture by aligning the pins with the socket holes, and gently pushing until lamp seats.
3. Use an MR16-G (glass covered lamp) 75 watt max (12 or 24 volt depending on power supply).
4. Hold the shade over the collar and insert three screws through the shade holes and into the collar.

Fixture may also be used with 50W Xenon bi-pin lamp.

Installing the quick connect:

1. Insert the post of the quick connect into the quick connect adapter.
2. Thread the top half of the conical section until it seats with the adapter.
3. Adjust fixture position, use caution not to loosen the conical section.

