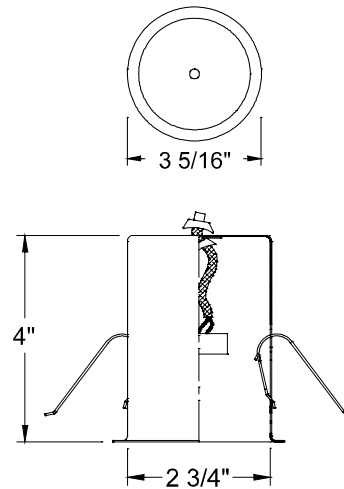


CATALOG NUMBER	TYPE
PROJECT	

LOW VOLTAGE 3" MINIATURE'S

MODEL HR-800



Ordering Matrix		
Series	Model Number	Trim
[]	[]	
HR	800	<i>See page two</i>

Ordering Example (series - model number + trim): HR-800

Product Details	
Description:	Low voltage housing for wood cabinets, displays, and similar wooden applications. Miniature's utilize MR16 lamps, up to 35w maximum, and require a remote transformer.
Materials:	Housing is 20 gauge galvanized steel, painted black. Electrical components within the can are a bi-pin ceramic socket with nickel plating and 18 gauge teflon insulated wires with fiberglass sleeves.
Transformer:	Remote electronic or magnetic transformer, sold separately. Transformer may be 12v or 24v.
Wiring:	Integral wiring compartment with standard size knock out hole on top. When using a class II power supply, side hole may be used for wire entry.
Mounting:	No screws, nails or hardware required. Flat "wing" springs expand against the cut out hole to hold fixture against the surface. 3" cutout hole.
Ratings:	Non-IC rated. Insulation must be kept at least 3" away from housing. UL and CUL listed. Suitable for damp locations. Thermal protector located inside the unit protects against overlamping.


Specification Features
<ul style="list-style-type: none"> • Unique housing with a total depth of 4" is one of the lowest profile recessed MR16 units available. • Handles mounting surface thickness up to 3/4". • Optional mounting clips for ceiling materials greater than 3/4" thick. Contact factory for ordering information. • 2 year W.A.C. Lighting product warranty.

CATALOG NUMBER	TYPE
PROJECT	

LOW VOLTAGE 3" MINIATURE'S

MODEL HR-800

Compatible Trims (sold separately):

<p>HR-833-□□</p> <p>Finishes: BN, WT Lamp: MR16 35W max.</p>		<p>HR-834-□□□□</p> <p>Finishes: BN, WT, WT/WT Lamp: MR16 35W max.</p>		<p>HR-836-□□</p> <p>Finishes: BK, BN, PB, WT Lamp: MR16 35W max.</p>	
<p>HR-836-□□</p> <p>Finishes: BK, BN, CH, PB, WT Lamp: MR16 35W max.</p>					

Finish Key:
 BK-Black, BN-Brushed Nickel, CH-Chrome, PB-Polished Brass, WT-White

Notes: **The full catalog number for a complete downlight includes the model numbers for both the trim and the housing.**

More information regarding each individual trim can be viewed on the individual trim spec sheets.