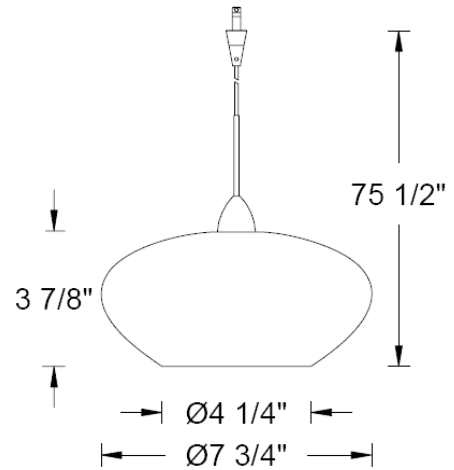


<b>CATALOG NUMBER</b>	<b>TYPE</b>
<b>PROJECT</b>	

**RHU QUICK CONNECT™ pendant G534SM**



Ordering Matrix		
Model	Glass	Socket Set Finish
[ ]	[ ]	[ ]
<b>QP MP-</b>	<b>534SM</b>	<b>BN</b> – Brushed Nickel <b>CH</b> – Chrome <b>DB</b> – Dark Bronze

Example (Model-Glass/Socket Set Finish) : QP534SM/BN

Product Details		Specification Features	
<b>Description:</b>	Hand blown smoke crackle glass shade.	<ul style="list-style-type: none"> <li>The QUICK CONNECT™ pendant requires a QUICK CONNECT™ adapter to use with WAC's low voltage rail and track systems (DUORAIL™, SOLORAIL™ and Linear track), line voltage track systems, (FLEXRAIL1™, FLEXRAIL2™ and 120v track) and mono-point and multipoint canopies.</li> <li>5 year product warranty.</li> </ul>	
<b>Materials:</b>	QP534SM QUICK CONNECT™ Pendant includes: (1) G534-SM Smoke gray crackle glass (1) QP-501 Pendant socket set (1) JC-50 Halogen Bi-Pin lamp  MP-534SM/BN Mono-point Pendant includes: (1) G534-SM Smoke gray crackle glass (1) 501 Pendant socket set (1) MP-60E Mono-point canopy (1) JC-50 Halogen bi-pin lamp		
<b>Socket:</b>	Includes 6' of braided cable and hang-straight tube.		
<b>Wattage:</b>	12v 50w max.		
<b>Listing:</b>	UL & CUL Listed.		